

Product Brochure For R012A

Vertex Rotary Table - HV-14

Ø355mm



On Sale - Back In Stock Soon

| Ex GST | Inc GST |
|------------|------------|
| \$1,696.00 | \$1,950.40 |
| \$1,360.00 | \$1,564.00 |

| | |
|--------------------------|-------|
| ORDER CODE: | R012A |
| MODEL: | HV-14 |
| Size (mm): | 355 |
| A1 (mm): | 130 |
| D (mm): | 350 |
| H (mm): | 140 |
| H1 (mm): | 230 |
| A (mm): | 450 |
| B (mm): | 380 |
| e (mm): | 16 |
| g (mm): | 18 |
| Number of T-Slots (No.): | 6 |
| T-Slot Size (mm): | 16 |
| Taper In Centre (MT): | 4MT |
| Nett Weight (kg): | 95 |



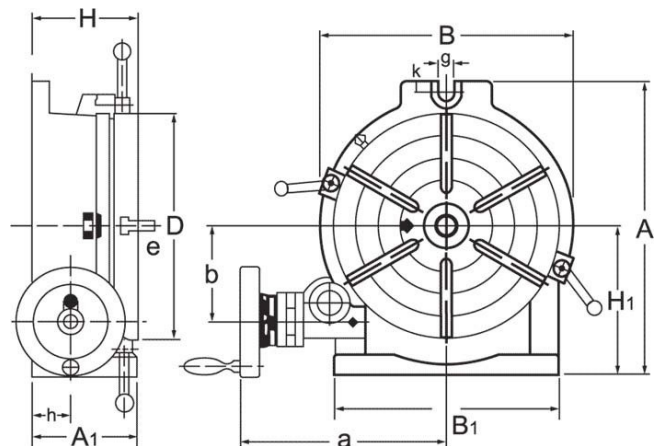
Description

Manufactured in Taiwan

The Vertex Rotary Table has been designed to be used where a precision work positioning device is required. It allows the operator to mill or drill components at exact intervals around a fixed axis. Additional indexing plates can be fitted to allow the Vertex Rotary Table to be used as a Dividing Head. The Vertex Rotary Table can be used in both the horizontal or vertical plane.

Features

- The Vertex Rotary Table is manufactured from high-density Meehanite cast iron with ground surface areas on the table and body to ensure smooth rotation
- Critical wear parts are hand finished for ultra precision
- All tables are tested for accuracy using 'Heidenhain' electronic equipment to ensure continuing quality
- Worm is hardened and precision ground, with a ratio of 90:1
- Table is graduated to a full 360° so one turn of the handle moves the table 4°
- The collar on the handle is graduated with a vernier scale, readings down to 10 seconds are possible



Product Brochure For R012A

Specific Features



Vertical View

Recommended Accessories

R020
Vertex Dividing Plate

C281
3 Jaw Self Centring Lathe
Chuck

C087
Clamp Kit Tee Nuts

C096A
Clamp Kit 58 piece - Industrial
Series

