

Product Brochure For S2174

5pc Nylon Lower Anvil Set - AS-70NY

70mm width

Suits EWHD-80 English Wheel

On Sale

Ex GST

~~\$330.00~~

\$253.04

Inc GST

~~\$379.50~~

\$291.00



ORDER CODE:	S2174
MODEL:	AS-70NY
Size:	~
Anvil Width (mm):	70
Anvil Radius (mm/inch):	31.8mm (1-1/4"), 50.8mm (2"), & 101.6mm (4"), 203.2mm (8") & Flat
No. of Pieces in Set:	5
Suits English Wheel:	EWHD-80

METALMASTER



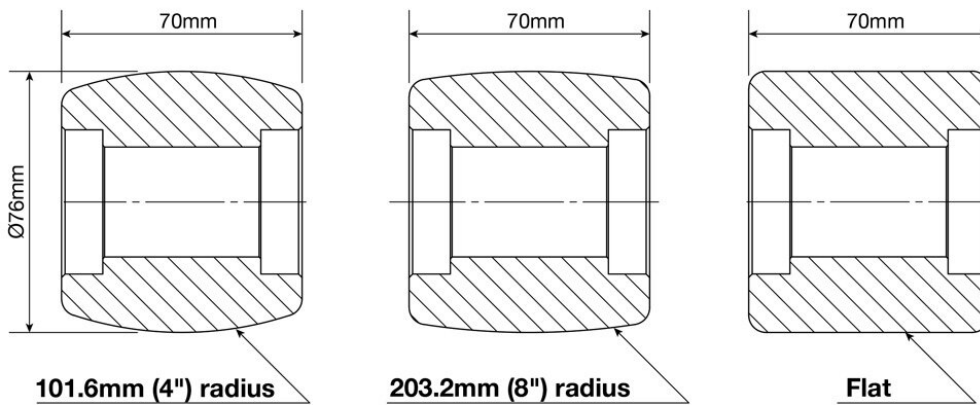
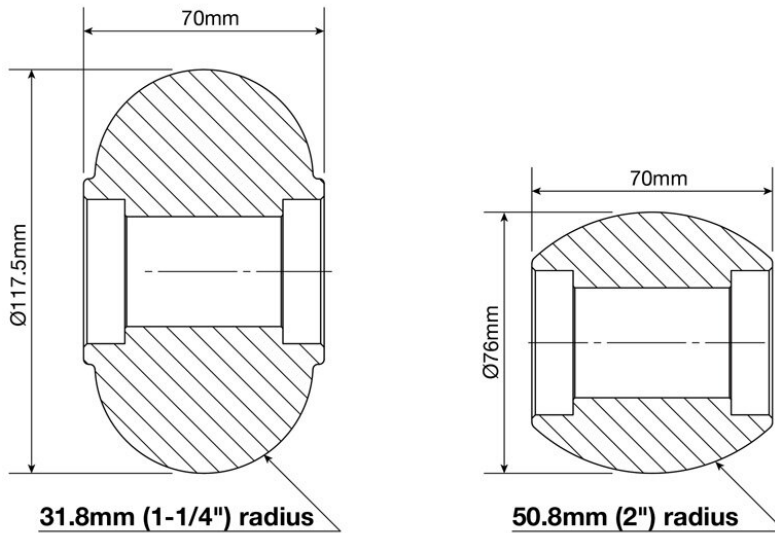
Description

These English Wheel lower anvils are made from MC Nylon with a shore scale hardness of D84, slightly harder than a bowling ball, to allow you to form the material rather than stretching it when using standard steel anvils plus with the added benefit of having a non-marking finish they are perfect when shaping aluminium or material requiring a mirror finish eg. Stainless Steel.

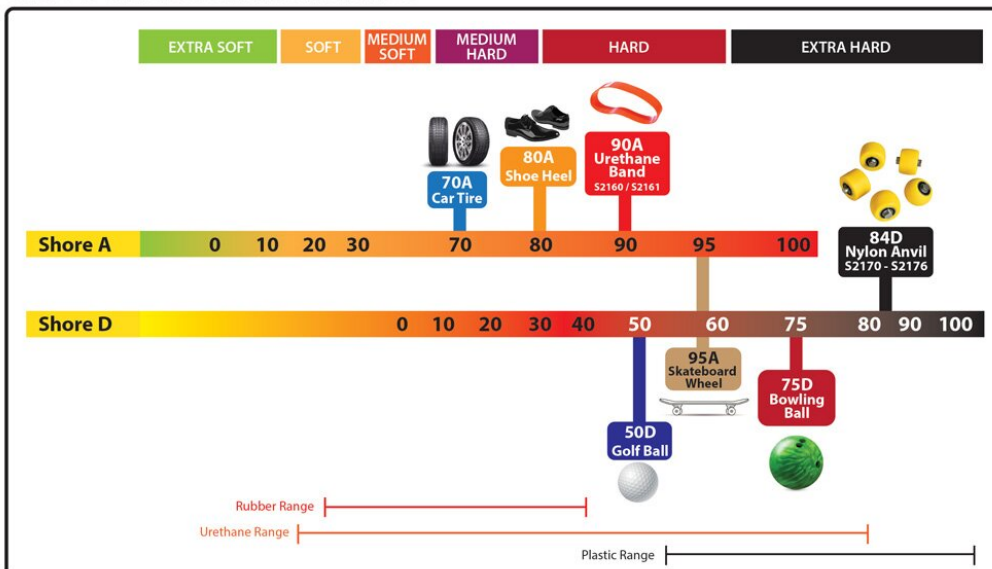
Includes

- 31.8mm (1-1/4") radius anvil
- 50.8mm (2") radius anvil
- 101.6mm (4") radius anvil
- 203.2mm (8") radius anvil
- Flat anvil
- 5pcs of anvil shafts supplied

Product Brochure For S2174



Shore is a measurement of hardness



Product Brochure For S2174

Specific Features



Anvil with Shaft



Flat Anvil



8" Radius Anvil



4" Radius Anvil



2" Radius Anvil



1 1/4" Radius Anvil

Recommended Accessories

S2254

English Wheel

