

Product Brochure For S2295

Medium Thumbnail Die Set - 16mm Square Shank - PHT-MDTSD

1.2mm Mild Steel Capacity
Suits PHM-560MK2 Power Hammer

On Sale

Ex GST	Inc GST
\$392.00	\$450.80
\$327.83	\$377.00



ORDER CODE:	S2295
MODEL:	PHT-MDTSD
Part Number:	~
Type:	Medium Thumbnail Die Set
Face Diameter (inch / mm):	~
Size (inch / mm):	~
Shank Size (mm):	16



Description

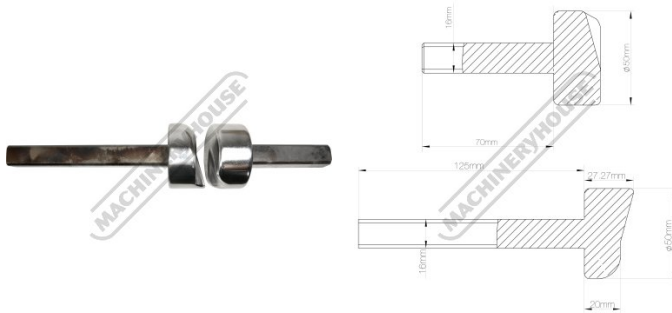
Our medium thumbnail die set is a good general-purpose size designed for shrinking. Made from CR12 hardened steel with the capability of shaping up to 1.2mm thick sheet mild steel and up to 1.6mm thick sheet aluminium. They come standard with 16mm shank to suit our Metalmaster PHM-560MK2 Power Hammer.

Features

- Capacity - 1.2mm thick sheet mild steel
- 16mm Square shank
- 50mm OD for general purpose use

Product Brochure For S2295

Specific Features



Side View

Dimensions

Recommended Accessories

S2290

Small Louvre Die Set - 16mm Square Shank



S2294

Small Thumbnail Die Set - 16mm Square Shank



S2296

Medium Nylon Thumbnail Die Set - 16mm Square Shank



S2298

Power Hammer Full Tooling Set - 16mm Square Shank

