

Product Brochure For S521

Swage and Jenny - Manual - SJ-2

1.6mm Mild Steel Thickness Capacity



On Sale - Back In Stock Soon

Ex GST

Inc GST

~~\$3,526.00~~

~~\$4,054.90~~

\$3,300.00

\$3,795.00

ORDER CODE:	S521
MODEL:	SJ-2
Machine (Type):	Swage & Jenny
Mild Steel - Thickness Capacity (mm / Gauge):	1.6 / 16
Aluminium - Thickness Capacity (mm / Gauge):	1.6 / 16
Throat Depth Maximum (mm):	380 (without guide)
Throat Height (mm):	~
Roll Diameter (mm):	60
Output Drive Speed (rpm):	38
Motor Power (kW / hp):	~
Voltage / Amperage (V / amp):	~
Nett Weight (kg):	46

Description

High quality, robust, industrial duty machines, manufactured from steel, which provides good strength whilst also providing a very good bearing surface for the rotating shafts and slider blocks

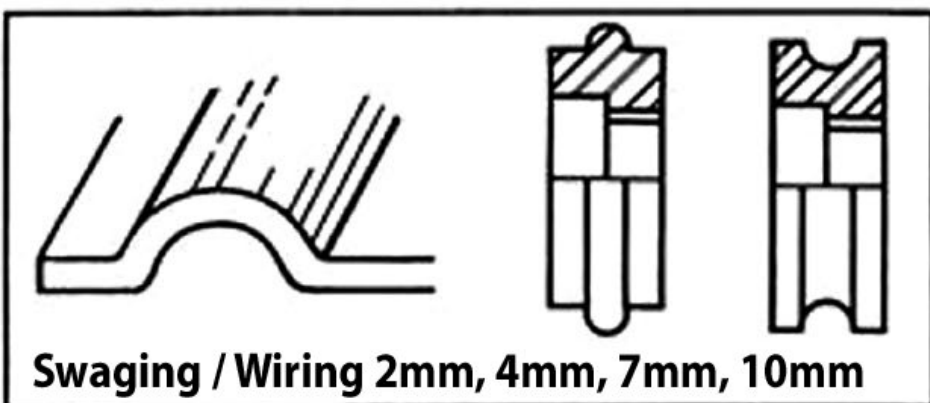
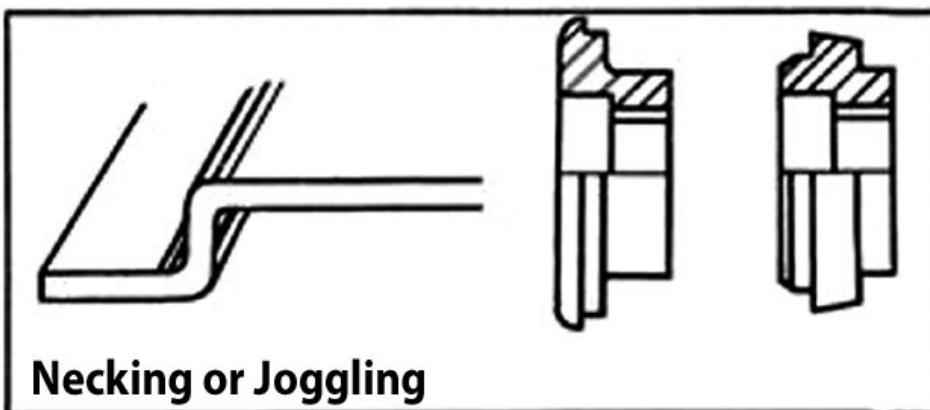
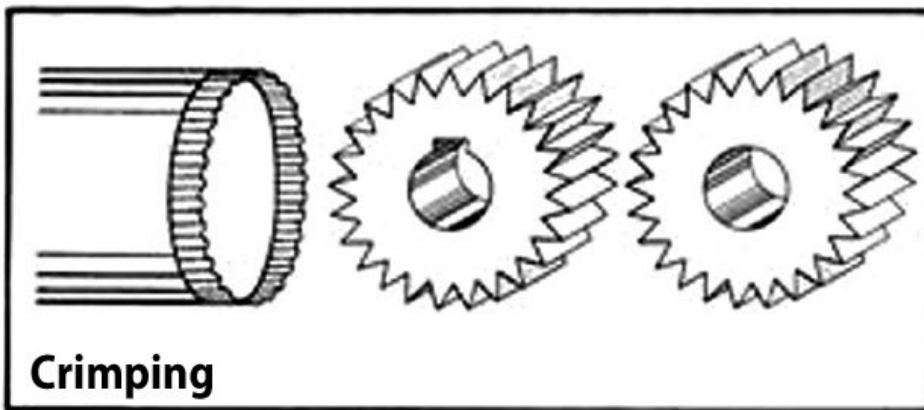
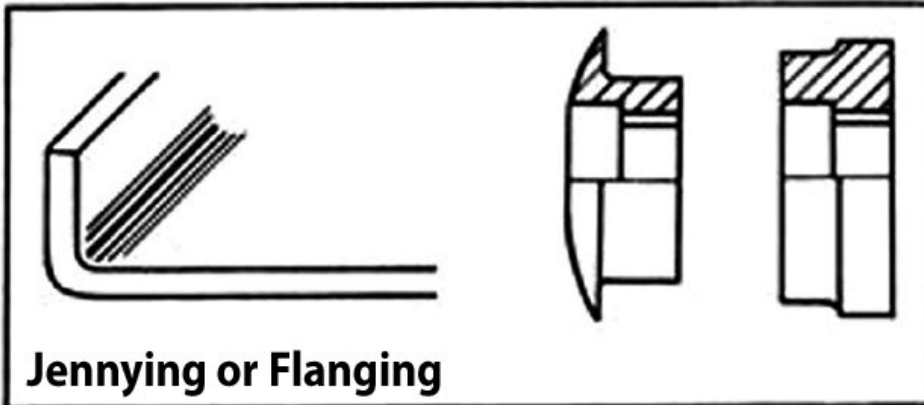
Features

- Manufactured from high grade cast iron
- Quality design for long life
- Throat depth
- with guide 275mm
- without guide 380mm
- Weight 46kg
- Made in New Zealand

Includes

- 2mm Wiring Top and Bottom
- 4mm Wiring Top and Bottom
- 7mm Wiring Top and Bottom
- 10mm Wiring Top and Bottom
- 1x Jenny Roller Bottom
- 1x Closing Roller Bottom
- 2x Crimping
- 2x Necking
- 2x Bearing Blocks
- 1x Flat Roller Top

Product Brochure For S521



Product Brochure For S521

Specific Features



Machine