

Product Brochure For S650

3-in-1 Pressbrake, Guillotine & Rolls - CM-760

760 x 1mm Mild Steel Capacity

On Sale

Ex GST

~~\$964.00~~

\$790.43

Inc GST

~~\$1,108.60~~

\$909.00



ORDER CODE:	S650
MODEL:	CM-760
Length Capacity (mm):	760
Material Thickness Capacity - Mild Steel (mm):	1
Rolls Diameter (mm):	42
Nett Weight (kg):	153



Description

A compact three-function sheet metal working machine which will shear, roll and bend thin sheet material up to a maximum width of 760mm. The handle operates all three functions at the same time, but only one function can be used at one time - the rolls incorporates wiring grooves and are rotated directly whilst the bending and shearing functions operate via an eccentric cam. The pressbrake bending dies can be removed in sections to allow for partial bends to be formed and the top roll can be removed completely when forming closed cylinders. The maximum thickness capacity of 1mm for mild steel & 1.5mm for soft grade aluminium. This compact machine is perfect on small jobs and low production runs for the home engineer's workshop.

Features

- Ideal for light sheet metal work
- Cast iron construction
- One handle operates all three functions
- Segmented pressbrake top blade
- Top roller opens for job removal
- Includes wiring grooves in rolls and backgauge
- Mild steel capacity is rated on hot rolled material with 250MPA

Product Brochure For S650

Specific Features



Side View



Rear View



Curving Rolls Full View



Metal Shearing Clamp



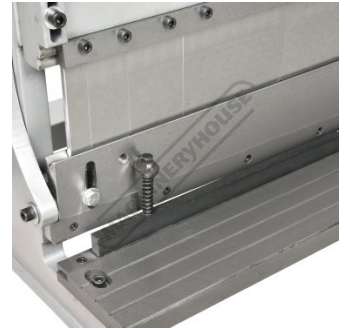
Metal Shearing Blade



Swing Out Top Roller



Wire Grooves-G geared Drive



Pressbrake



Adjustable Rear Stop