

Product Brochure For S9981

## 1320mm Sheet Metal Guillotine Blade Set - 9CrSi - GB-132.6020

1320 x 60 x 20mm

Top & Bottom Blade Set

**On Sale**

Ex GST

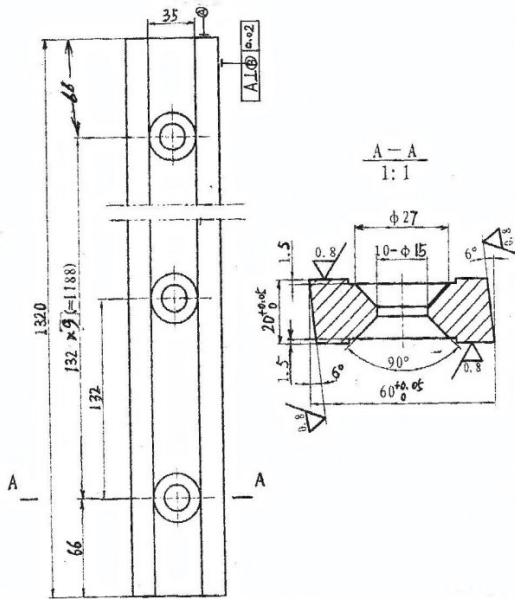
Inc GST

**\$660.00**

**\$759.00**

**\$300.00**

**\$345.00**



ORDER CODE:	S9981
MODEL:	GB-132.6020
Suits Guillotine Cut Length (mm):	1320
Blade Size (mm):	1320 x 60 x 20
Blade Material:	9CrSi
Top Blade Set:	1 Piece
Bottom Blade Set:	1 Piece

**METALMASTER**



### Description

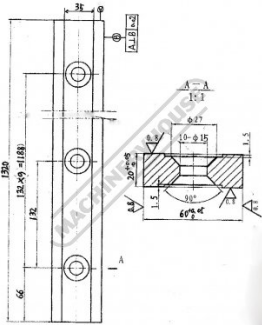
Blades made from 9CrSi material suitable for cutting stainless steel

### Includes

- Top & Bottom Blade Set

Product Brochure For S9981

**Specific Features**



Bottom Blade

**Recommended Accessories**

S534A  
Manual Treadle Guillotine

S535  
Hydraulic Guillotine

S923  
Hydraulic NC Guillotine

S924A  
Mechanical Guillotine



S534S  
Manual Treadle Guillotine with  
Rear Safety Guard

