

Product Brochure For S9987

3200mm Sheet Metal Guillotine Blade Set - 6CrW2Si - GB-110.8020

1100 x 80 x 20mm

Top & Bottom Blade Set

On Sale - Back In Stock Soon

Ex GST

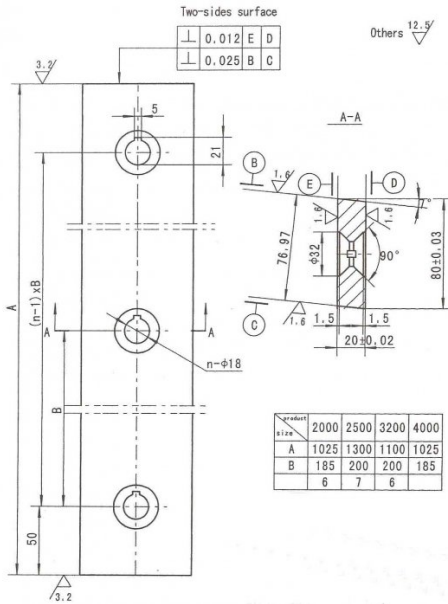
Inc GST

~~\$3,526.00~~

~~\$4,054.90~~

\$3,400.00

\$3,910.00



| | |
|-----------------------------------|----------------|
| ORDER CODE: | S9987 |
| MODEL: | GB-110.8020 |
| Suits Guillotine Cut Length (mm): | 3200 |
| Blade Size (mm): | 1100 x 80 x 20 |
| Blade Material: | 6CrW2Si |
| Top Blade Set: | 3 Piece |
| Bottom Blade Set: | 3 Piece |

METALMASTER



Description

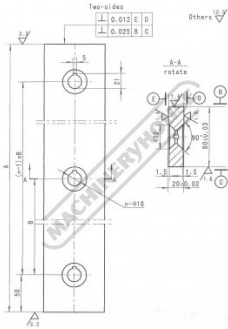
Blades made from 6CrW2Si material suitable for cutting stainless steel

Includes

- Top & Bottom Blade Set

Product Brochure For S9987

Specific Features



Bottom Blade

Recommended Accessories

S960

Hydraulic NC Guillotine -
Variable Rake

S960S

Hydraulic NC Guillotine -
Variable Rake

