

Product Brochure For T007

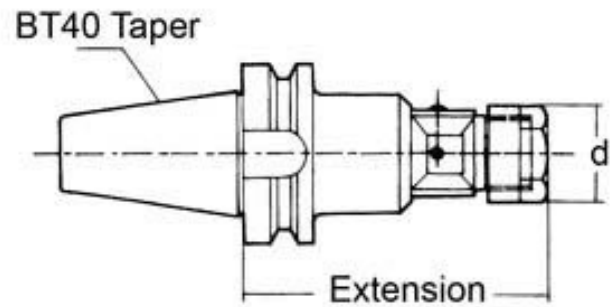
## BT40 x ER32 Floating Tap Holder

M3-M25

**On Sale**

Ex GST	Inc GST
<del>\$404.00</del>	<del>\$464.60</del>
<b>\$322.61</b>	<b>\$371.00</b>

ORDER CODE:	T007
Shank:	BT40
Collet (ER):	ER-32
Shank Length:	BT40
Extension (mm):	110 - 124
d (mm):	50
Capacity (mm):	M3 - M25
Nett Weight (kg):	2.4



### Description

Manufactured from top quality SCM-12 alloy steel, hardened and precision ground. Ideal for all CNC lathes and machining centres  
Designed to use standard ER-32 collets  
Note - Spanner and Tap not supplied

### Features

- Manufactured to MAS403BT40 standard
- Floating spring cushion for automatic position adjustment, avoiding damaged threads
- Square shank of tap is securely held by four grub screws to prevent twisting

Product Brochure For T007

---

**Specific Features**



Shown With Tap

**Recommended Accessories**

T142  
Pull Stud

T144  
Pull Stud

T145  
Pull Stud

C932  
ER32 Collet Chuck Wrench



C117  
Collet Nut ER32

C921  
ER32 Collet Set - 6 Piece

C922  
ER32 Collet Set - 18 Piece

