

Product Brochure For T145

Pull Stud

BT-40



On Sale

Ex GST

~~\$38.00~~

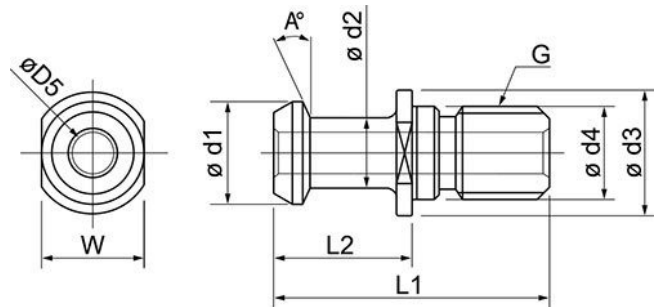
\$29.57

Inc GST

~~\$43.70~~

\$34.00

ORDER CODE:	T145
Type:	BT40
A (deg):	15°
G (mm):	M16
d1 (mm):	19.0
d2 (mm):	14.0
d3 (mm):	23.0
d4 (mm):	17.0
D5 (mm):	6.5
L1 (mm):	54.00
L2 (mm):	29.00
W (mm):	19.0



Description

Suits Doosan BT-40 Machines
Through Coolant

Features

- Precision ground through coolant
- NIKKEN-806-1 Specification
- M16 Pull Stud thread