

Product Brochure For T224

## BT40 x ER32-100 Collet Chuck

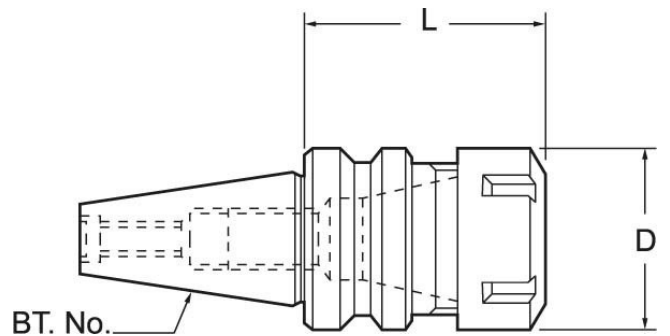
Ø2-Ø20mm Range  
15,000rpm Speed Rating

**On Sale**

<b>Ex GST</b>	<b>Inc GST</b>
<b>\$172.00</b>	<b>\$197.80</b>
<b>\$136.52</b>	<b>\$157.00</b>



ORDER CODE:	T224
MODEL:	BT40 x ER32-100
Speed Rating (rpm):	15,000
Taper (BT):	BT40
Capacity (mm):	2 - 20
L (mm):	100
D (mm):	50
Collet Type (ER):	ER32
Nett Weight (kg):	1.8



### Description

All BT collet chucks meet the specifications of machine tool builders (DIN 2080 taper Shank Grade AT-3 - 85% taper contact)

### Features

- Precision ground
- Manufactured to MAS403BT40 standard
- M16 Pull Stud thread
- 100mm extension from the gauge line
- Locking spanner not included

Product Brochure For T224

**Recommended Accessories**

C932  
ER32 Collet Chuck Wrench



C903  
ER32 Collet



C921  
ER32 Collet Set - 6 Piece



C922  
ER32 Collet Set - 18 Piece



C929A  
Collet & Chuck Set - 20 Piece



T142  
Pull Stud



T144  
Pull Stud



T145  
Pull Stud



## Product Brochure For T224

---

C117  
Collet Nut ER32

