

Product Brochure For T226

## BT40 x ER40-80 Collet Chuck

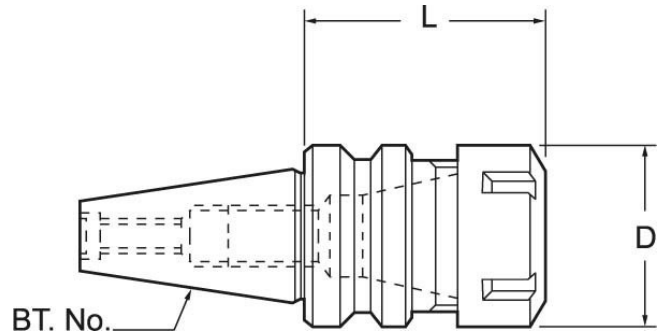
Ø3-Ø26mm Range  
15,000rpm Speed Rating

**On Sale**

| Ex GST          | Inc GST         |
|-----------------|-----------------|
| <b>\$184.00</b> | <b>\$211.60</b> |
| <b>\$146.96</b> | <b>\$169.00</b> |



|                     |                |
|---------------------|----------------|
| ORDER CODE:         | T226           |
| MODEL:              | BT40 x ER40-80 |
| Speed Rating (rpm): | 15,000         |
| Taper (BT):         | BT40           |
| Capacity (mm):      | 3 - 26         |
| L (mm):             | 80             |
| D (mm):             | 63             |
| Collet Type (ER):   | ER40           |
| Nett Weight (kg):   | 1.8            |



### Description

All BT collet chucks meet the specifications of machine tool builders (DIN 2080 taper Shank Grade AT-3 - 85% taper contact)

### Features

- Precision ground
- All ER40 collet chucks are fitted with ball bearing nuts
- Manufactured to MAS403BT40 standard
- M16 Pull Stud thread
- 80mm extension from the gauge line
- Locking spanner not included

Product Brochure For T226

**Recommended Accessories**

C969  
ER40 Collet Chuck Wrench



C934  
ER40 Collet



C957  
ER40 Collet Set - 7 Piece



C967  
Collet & Chuck Set - 25 Piece



T142  
Pull Stud



T144  
Pull Stud



T145  
Pull Stud



C118  
Collet Nut - ER40 Ball Bearing Nut

