

Product Brochure For T448

## BT50 x ER32-100 Collet Chuck

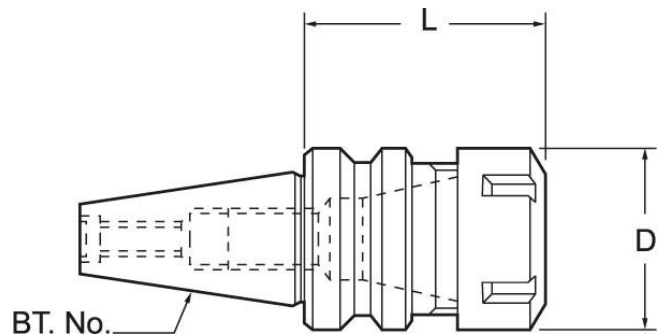
Ø3-Ø20mm Range  
10,000rpm Speed Rating



**On Sale - Back In Stock Soon**

Ex GST	Inc GST
<b>\$282.00</b>	<b>\$324.30</b>
<b>\$224.35</b>	<b>\$258.00</b>

ORDER CODE:	T448
MODEL:	BT50 x ER32-100
Speed Rating (rpm):	10,000
Taper (BT):	BT50
Capacity (mm):	3 - 20
L (mm):	100
D (mm):	50
Collet Type (ER):	ER32
Nett Weight (kg):	5.0



### Description

All BT collet chucks meet the specifications of machine tool builders (DIN 2080 taper Shank Grade AT-3 - 85% taper contact)

### Features

- Precision ground
- Manufactured to MAS403BT50 standard
- M24 Pull Stud thread
- 100mm extension from the gauge line
- Locking spanner not included

Product Brochure For T448

**Specific Features**



Front Right View

Side View

Rear View

**Recommended Accessories**

C932  
ER32 Collet Chuck Wrench

C903  
ER32 Collet

C921  
ER32 Collet Set - 6 Piece

C922  
ER32 Collet Set - 18 Piece



T445  
Pull Stud

C117  
Collet Nut ER32

