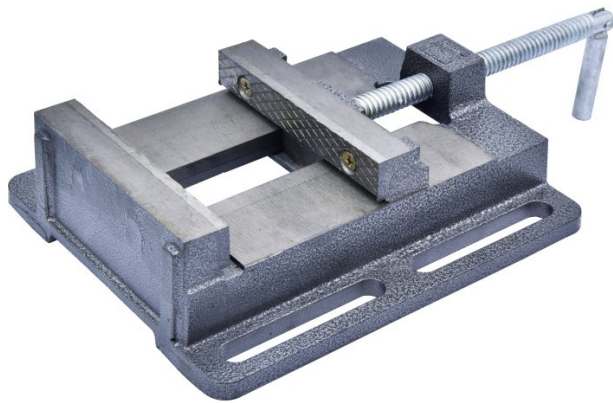


Product Brochure For V125

Drill Press Vice - Standard

127mm Jaw Width
125mm Jaw Opening



On Sale

Ex GST
~~\$50.00~~
\$38.26

Inc GST
~~\$57.50~~
\$44.00

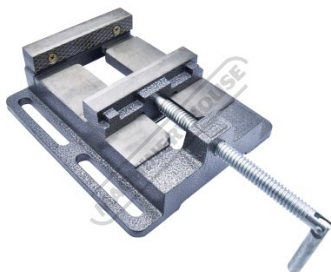
ORDER CODE:	V125
MODEL:	~
Type:	Drill Vice
Jaw Width (mm):	127
Jaw Opening (mm):	125
Jaw Depth (mm):	23
Nett Weight (kg):	5



Description

Manufactured from close grain cast iron.

Specific Features



Rear View

Product Brochure For V125

Recommended Accessories

V0531

Aluminium Magnetic Soft Jaws

V0538

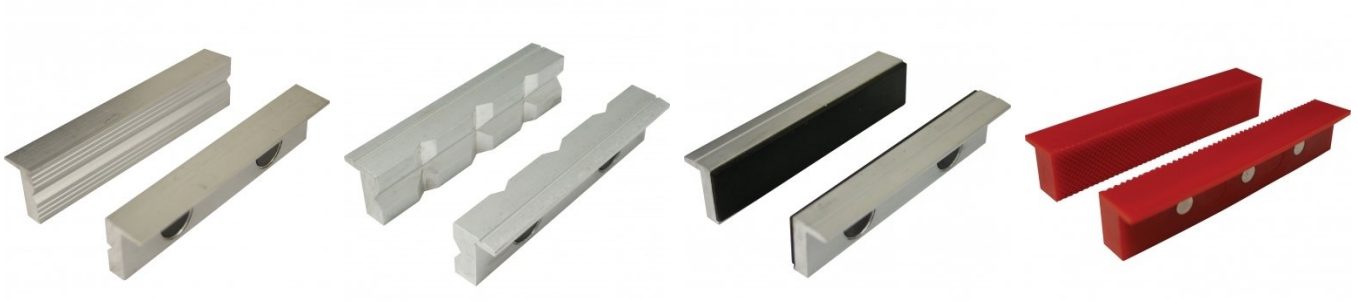
Aluminium Magnetic Soft Jaws

V0535

Aluminium Magnetic Soft Jaws

V0542

Plastic Magnetic Soft Jaws



V0546

Plastic Magnetic Soft Jaws

