

Product Brochure For V1270

## Drill Press Vice - TMV-100E

100mm Jaw Width  
100mm Jaw Opening



**On Sale**

**Ex GST**  
~~\$98.00~~  
**\$76.52**

**Inc GST**  
~~\$112.70~~  
**\$88.00**

ORDER CODE:	V1270
MODEL:	TMV-100E
Type:	Drill Vice
Jaw Width (mm):	100
Jaw Opening (mm):	100
Jaw Depth (mm):	30
Nett Weight (kg):	4



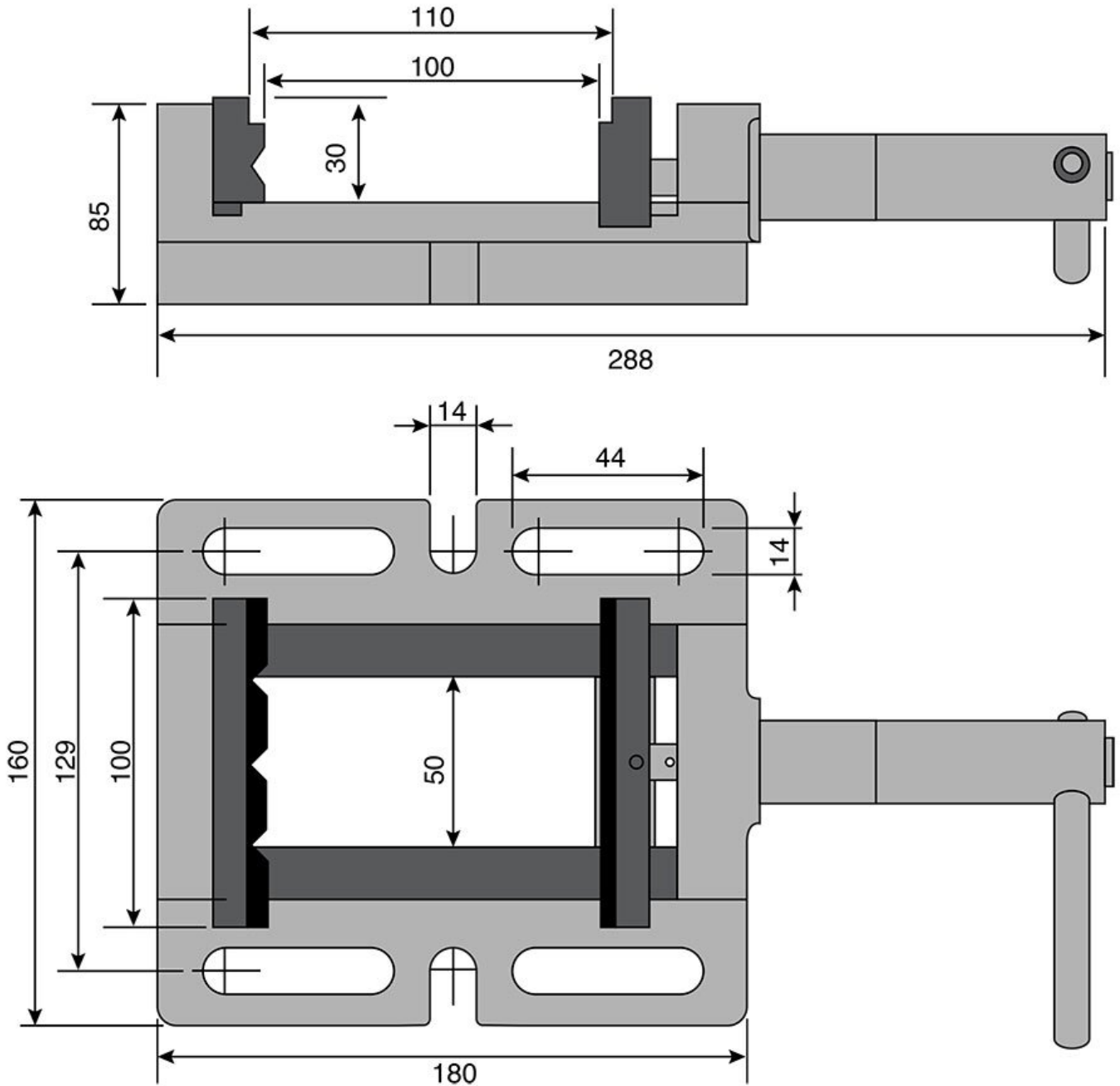
### Description

Manufactured from close grain cast iron.  
This vice comes with jaws that include vertical and horizontal grooves for prismatic work.

### Features

- 100mm wide jaws
- 100mm opening with 50mm throat
- Prismatic jaw for securely clamping round work pieces
- Compact design
- Guide screw lead in mechanism

Product Brochure For V1270

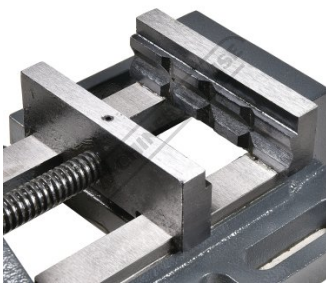


**\* Dimensions are provided solely for the purpose of illustration; product tolerance may exhibit variations.**

Product Brochure For V1270

---

**Specific Features**



Jaws



Rear View

**Recommended Accessories**

V053

Aluminium Magnetic Soft Jaws

V0537

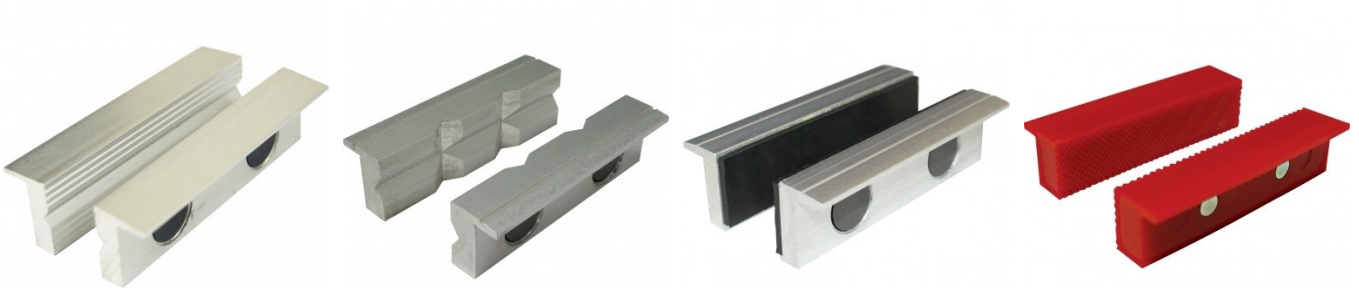
Aluminium Magnetic Soft Jaws

V0534

Aluminium Magnetic Soft Jaws

V054

Plastic Magnetic Soft Jaws



V0544

Plastic Magnetic Soft Jaws

