

Product Brochure For V154

Drill Press Vice - HF-100

100mm Jaw Width

100mm Jaw Opening



ORDER CODE:	V154
MODEL:	HF-100
Type:	Heavy Duty Drill Vice
Jaw Width (mm):	100
Jaw Opening (mm):	100
Jaw Depth (mm):	~
Nett Weight (kg):	8.7



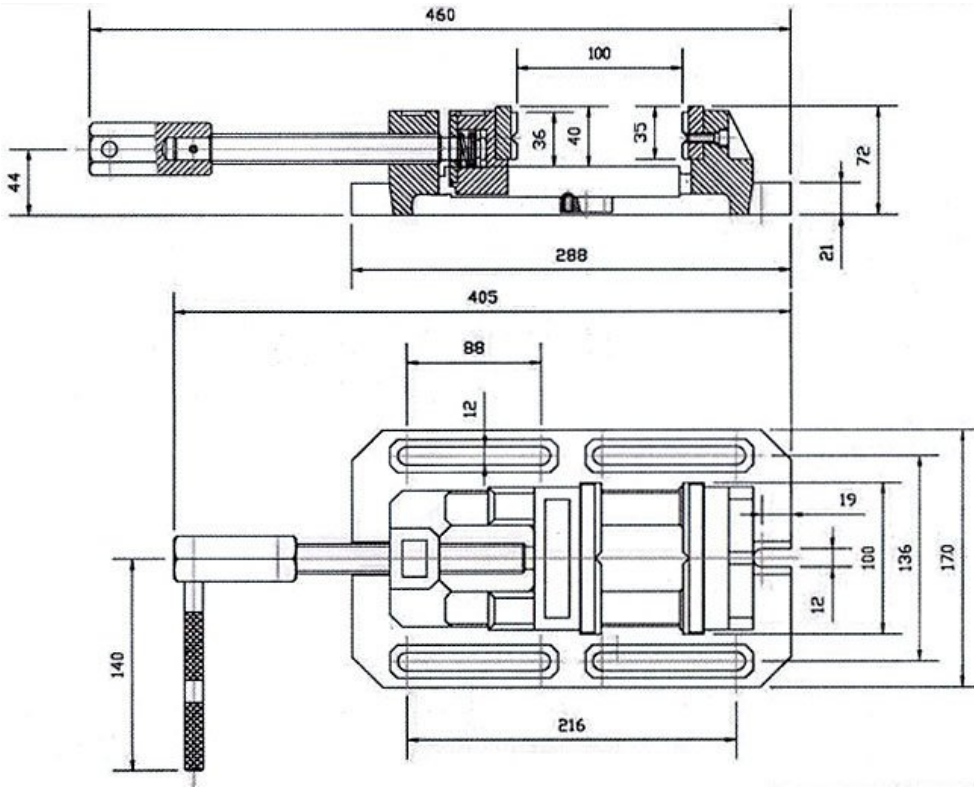
Description

Heavy duty drill vice

Features

- Hardened Prismatic Jaws

Product Brochure For V154



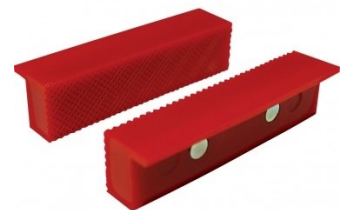
Recommended Accessories

V053
Aluminium Magnetic Soft Jaws

V0537
Aluminium Magnetic Soft Jaws

V0534
Aluminium Magnetic Soft Jaws

V054
Plastic Magnetic Soft Jaws



Product Brochure For V154

V0544

Plastic Magnetic Soft Jaws

