

Product Brochure For V155

## Drill Press Vice - HF-140

140mm Jaw Width  
140mm Jaw Opening

ORDER CODE:	V155
MODEL:	HF-140
Type:	Heavy Duty Drill Vice
Jaw Width (mm):	140
Jaw Opening (mm):	140
Jaw Depth (mm):	~
Nett Weight (kg):	18

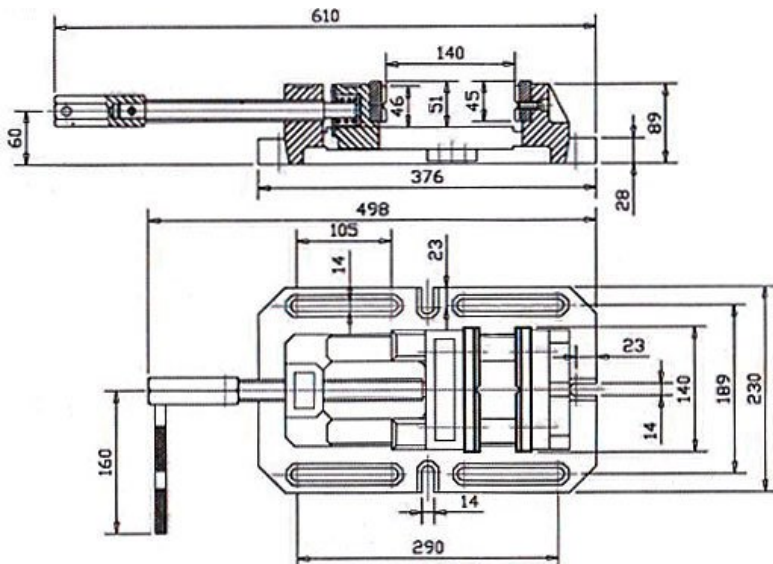


### Description

Heavy duty drill vice

### Features

- Hardened Prismatic Jaws



Product Brochure For V155

---

**Recommended Accessories**

V0532

Aluminium Magnetic Soft Jaws

V0539

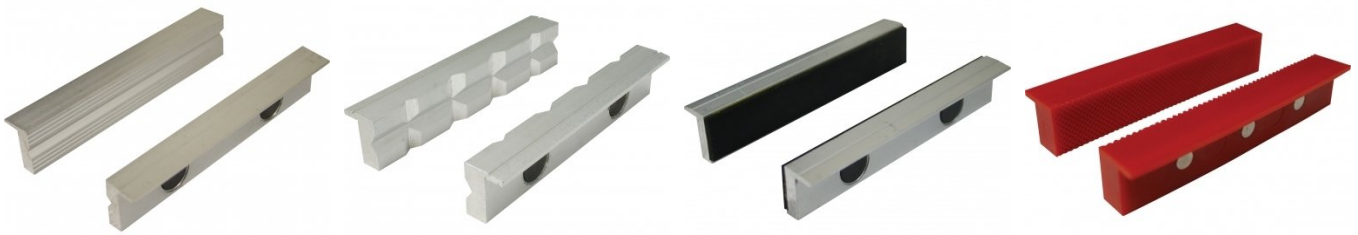
Aluminium Magnetic Soft Jaws

V0536

Aluminium Magnetic Soft Jaws

V0542

Plastic Magnetic Soft Jaws



V0546

Plastic Magnetic Soft Jaws

