

Product Brochure For V1581

## Heavy Duty - Drill Press Vice - TMV-200H

200mm Jaw Width  
205mm Jaw Opening

**On Sale**

Ex GST	Inc GST
<del>\$428.00</del>	<del>\$492.20</del>
<b>\$342.61</b>	<b>\$394.00</b>



ORDER CODE:	V1581
MODEL:	TMV-200H
Type:	Heavy Duty Drill Vice
Jaw Width (mm):	200
Jaw Opening (mm):	205
Jaw Depth (mm):	48
Nett Weight (kg):	37



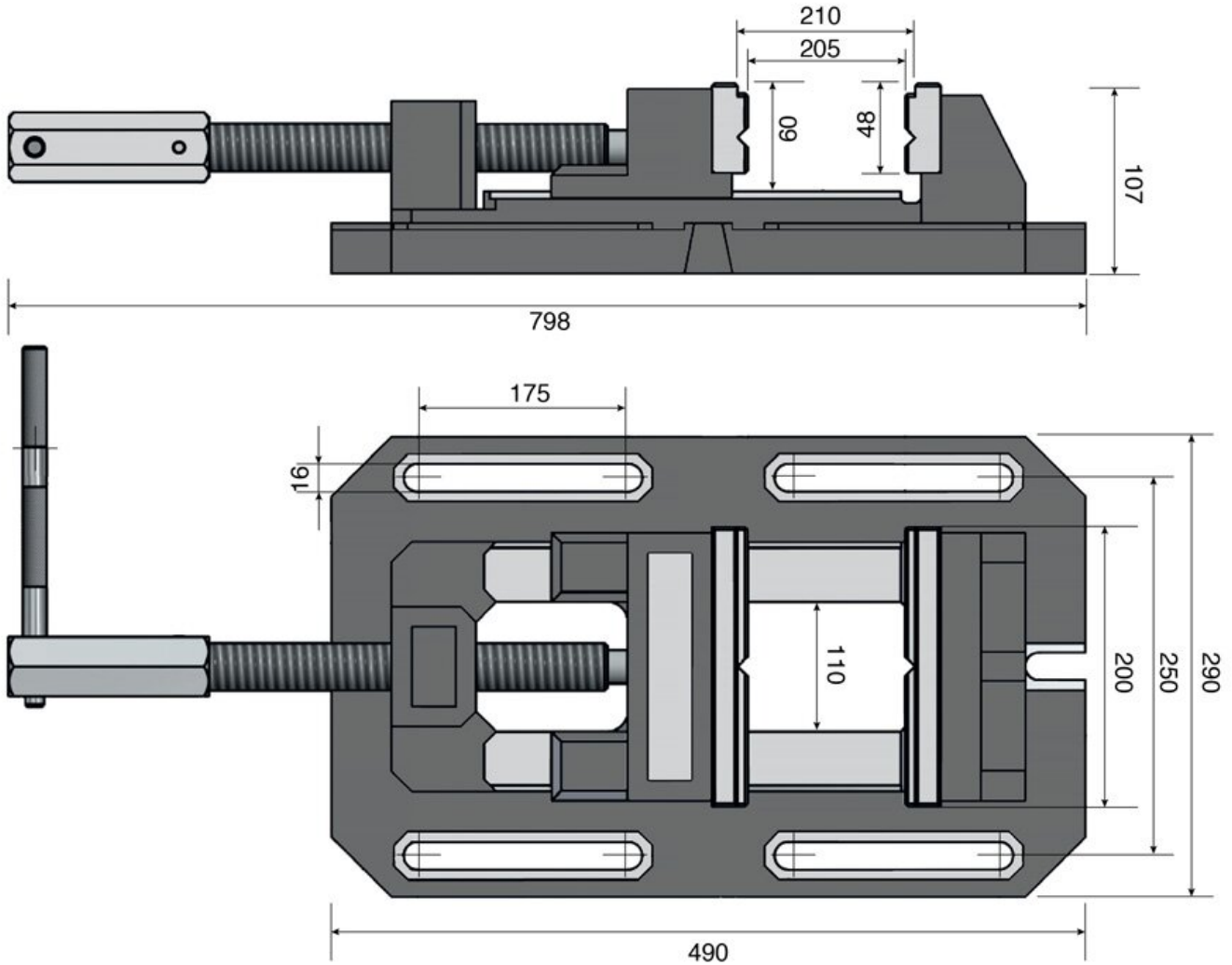
### Description

Heavy duty drill vice designed specifically for machine shop or tool room use. The bottom of the base is machined and slots are provided for securing to worktable.

### Features

- Heavy-duty cast iron construction
- Precision ground prismatic jaws
- Precision ground base & bed for smooth lateral movement of the jaw
- Jaw guides to prevent tilting
- 200mm jaw width
- 205mm jaw opening
- 48mm jaw height

Product Brochure For V1581



\* Dimensions are provided solely for the purpose of the illustration: product tolerance may exhibit variations.

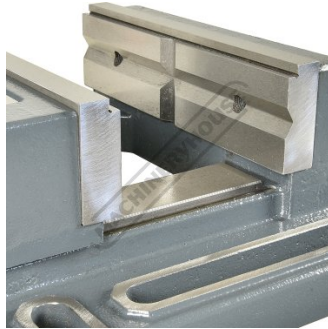
Product Brochure For V1581

---

**Specific Features**



Rear View



Jaws

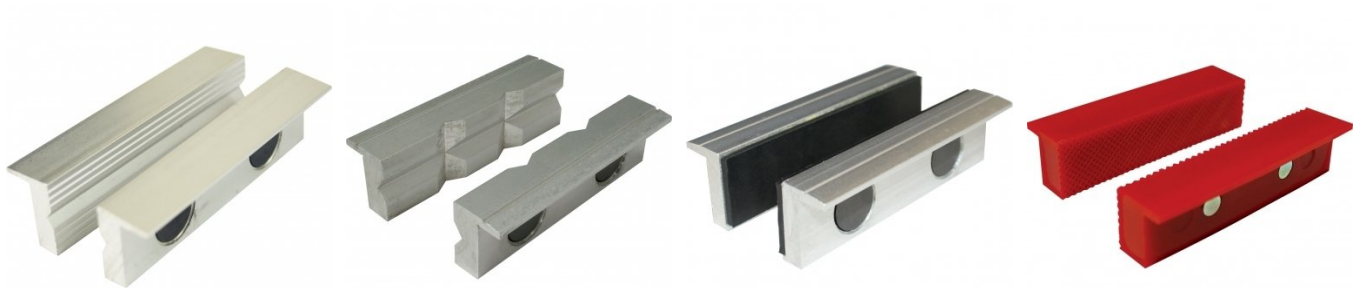
**Recommended Accessories**

V053  
Aluminium Magnetic Soft Jaws

V0537  
Aluminium Magnetic Soft Jaws

V0534  
Aluminium Magnetic Soft Jaws

V054  
Plastic Magnetic Soft Jaws



V0544  
Plastic Magnetic Soft Jaws

