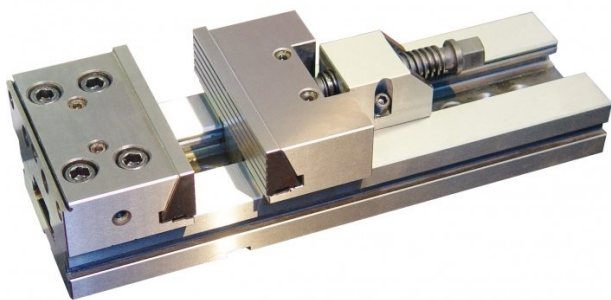


Product Brochure For V311A

Modular Machine Vice

152mm Jaw Width
300mm Jaw Opening



On Sale

| Ex GST | Inc GST |
|------------|------------|
| \$1,526.00 | \$1,754.90 |
| \$1,100.00 | \$1,265.00 |

| | |
|-----------------------|-------|
| ORDER CODE: | V311A |
| A - Jaw Width (mm): | 152 |
| C - Jaw Opening (mm): | 300 |
| B - Jaw Height (mm): | 50 |
| D (mm): | 520 |
| E (mm): | 600 |
| F (mm): | 50 |
| G (mm): | 125 |
| H (mm): | 90 |
| Nett Weight (kg): | 37 |



Description

Toolmaster vices are manufactured under rigid quality control. All Toolmaster vices are interchangeable and can be used as matched pairs.

Features

- Hardened and ground steel to HRC60, with high precision
- Keyways are 16mm H7 and are toleranced giving perfect alignment and reducing set up time
- Space saving design allows for maximum use of clamping area

