

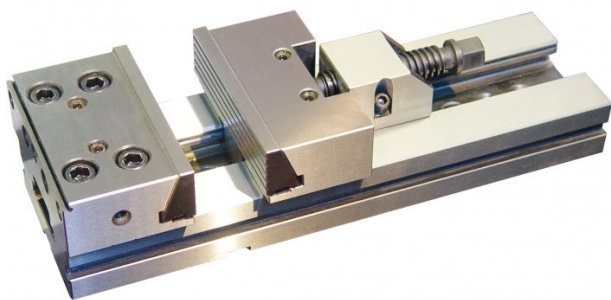
Product Brochure For V312

Modular Machine Vice

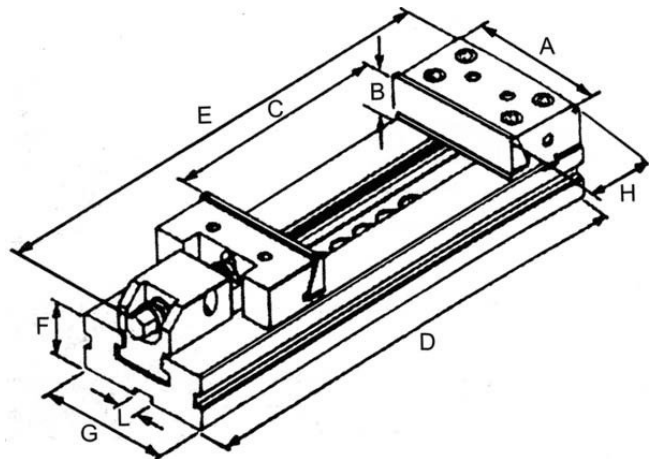
203mm Jaw Width
300mm Jaw Opening

On Sale

Ex GST	Inc GST
\$2,380.00	\$2,737.00
\$1,800.00	\$2,070.00



ORDER CODE:	V312
A - Jaw Width (mm):	203
C - Jaw Opening (mm):	300
B - Jaw Height (mm):	65
D (mm):	595
E (mm):	710
F (mm):	70
G (mm):	170
H (mm):	114
Nett Weight (kg):	70



Description

Toolmaster vices are manufactured under rigid quality control. All Toolmaster vices are interchangeable and can be used as matched pairs.

Features

- Hardened and ground steel to HRC60, with high precision
- Keyways are 16mm H7 and are toleranced giving perfect alignment and reducing set up time
- Space saving design allows for maximum use of clamping area