

Product Brochure For V332

Safeway Mechanical/Hydraulic Machine Vice - PHV-160

160mm Jaw Width
310mm Jaw Opening

On Sale

Ex GST	Inc GST
\$1,770.00	\$2,035.50
\$1,417.39	\$1,630.00



ORDER CODE:	V332
MODEL:	PHV-160
C - Jaw Width (mm):	160
Max. - Jaw Opening (mm):	310
F - Jaw Height (mm):	58
Max. Pressure (kgf):	4000
A (mm):	625
B (mm):	240
D (mm):	205
E (mm):	140
G (mm):	82
H (mm):	179
I (mm):	39
J (mm):	105
K (mm):	340
L (mm):	125
M (mm):	208
N (mm):	300
O (mm):	196
P (mm):	750
Q (mm):	640
X (mm):	18
Keyway (W) (mm):	16
Nett Weight (kg):	57

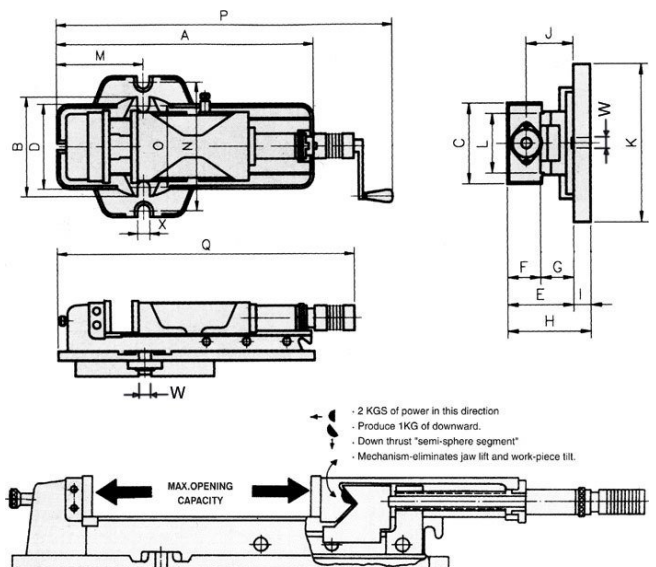


Description

160mm MECHANICAL/HYDRAULIC MACHINE VICE: Precision manufactured from rigid material - Ductile iron FCD60JIS (equal to GGG60) with 60kg/mm² or 80,000 psi tensile strength. ;All Safeway vices are precision ground and the surfaces set to the tolerances set out below. This allows these vices to be used in pairs and multiple configurations.

Features

- Flame-hardened to HRC 45 to take up wear and maintain accuracy
- The semi-sphere segment eliminates movable jaw lifting and creates a down force of 1kg for every 2kg of clamping force, preventing the work piece from tilting
- The hydraulic cylinder is mounted externally for easy maintenance
- Large clamping range through screw adjustment and 3 pin positions in the base.
- The vise can be used in either a mechanical mode or in a hydraulic mode



Product Brochure For V332

Specific Features



Front View



Hydraulic Tension with Handle



Knurled Head Lifting Pins



3 Pin Position Clamping Range



Removable Jaws

Recommended Accessories

V333
Mechanical/Hydraulic Machine
Vice Base

V3203
Safeway Standard Hardened
Jaws - 160mm

V3212
Safeway Serrated Hardened
Jaws - 160mm

V3208
Safeway Vee Hardened Jaw -
160mm

