

## Product Brochure For W07705

# 66 Piece - Rhino Cart Mobile Fixturing Station - TDQ612075-K1

1200 x 750 x 910mm (LxWxH)

Ø16mm Holes

**On Sale**

Ex GST

Inc GST

~~\$3,892.00~~

~~\$4,475.80~~

**\$3,400.00**

**\$3,910.00**



ORDER CODE:	W07705
MODEL:	TDQ612075-K1
Table Top Finish (Type):	Nitrided Black Oxide
Table Top Size (mm):	1200 x 750
Table Height (mm):	910
Table Side Height (mm):	~
Top Plate Thickness (mm):	16
Grid Pattern (mm):	50 x 50
Table Hole Diameter (Ø):	16
Table Slots (mm):	~
Static Load Capacity (kg):	700
Total W.L.L. (kg):	~
Number of Legs (No.):	~
Nett Weight (kg):	195



## Description

The Rhino Cart Mobile Fixturing Station is a turnkey system for fixturing and clamping in welding and fabrication. Clamp and fixture at any point on the reversible, flat, nitrided (heat treated) 1200 x 750mm tabletop for accuracy in all of your setups.

Accurately fit-up and hold work pieces for tacking and welding with the Rhino Cart package, including: The Rhino Cart Welding Table + 66 piece Fixture Kit. Rhino Package Part No.: TDQ612075-K1

16mm thick steel plate reversible tabletop with nitrided black oxide protective finish for wear, rust and weld spatter resistance. Accurately position parts in CNC precision bored 16mm diameter holes in 50 x 50mm spacing pattern

## Features

- Tabletop Life: Nitrided and black oxide table plate is reversible. Weld spatter, rust and scratch resistant.
- Tabletop Size: 1200 x 750mm
- Tabletop Thickness: 16mm
- Hole Diameter: Ø16mm
- Grid Pattern: 50 x 50mm
- Table Height: 910mm
- Static Loading Capacity: 700kg
- Package Net Weight: 195kg
- 2 x fixed & 2 x swivel brake caster wheels
- Levelling feet for mobile or stationary use
- Rhino shelves, racks and pegboard keep your fixing tools organised and within easy reach!

## Includes

- 1 x TDQ612075 - 1200 x 750 x 910mm Welding table cart
- 10 x T65055 - Ball lock bolt, adjustable range: 24 ~ 28mm
- 2 x T64201 - Ø16mm locating pin
- 2 x PT07K - Inserta pliers, 60mm opening, Max. 50mm reach
- 2 x PT09K - Inserta pliers, 85mm opening, Max. 75mm reach
- 2 x UDN6150 - Inserta clamp, 150mm opening, 83mm reach, 16 x 8mm (D Rail), T-handle
- 2 x T64217 - Magnetic top V pads for inserta pliers and inserta clamps
- 2 x TCX6210 - Side clamp, 38mm stroke

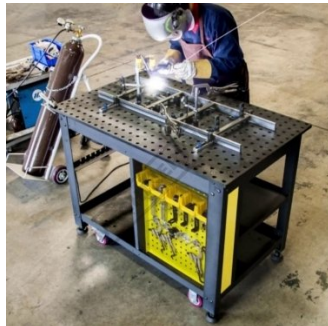
## Product Brochure For W07705

- 4 x T64203 - Stop, Ø25 x 38mm
- 4 x T64205 - Stop, Ø25 x 50mm
- 8 x T64216 - V-Block, Ø40 x 23mm
- 4 x T64211 - V-Block spacer, Ø40 x 27mm
- 8 x T60630 - D-Stop bar, 120 x 25 x 11.5mm
- 12 x T50737 - Magnetic rest button, Ø40 x 11.5mm
- 2 x T60304 - Right angle bracket, 41 x 91 x 30mm
- 2 x T60305 - Right angle bracket, 91 x 91 x 30mm
- 1 x Backing panel with square holes to suits hooks & holders
- 5 x Plastic buckets
- 1 x Bucket holder
- 10 x Single prong hooks
- 5 x Double prong hooks

### Specific Features



Accessories Included



Shown In Use



Shown with Accessories



Right Low View



Left View



Left Low View



Front View



Left Side View



Rear Right View



Rear Left View

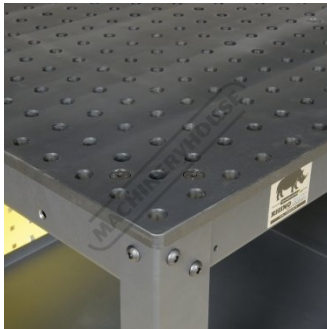


Nitrided and Black Oxide Table Plate is Reversible

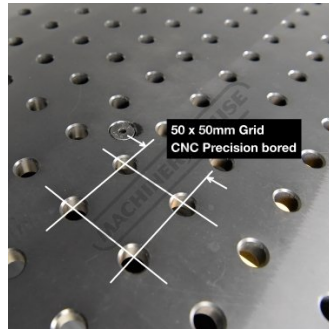


16mm Thick Table Top

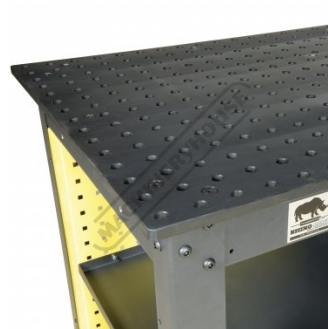
Product Brochure For W07705



16mm Hole Diameter Table Top



50 x 50mm Grid Pattern



910mm Table Top Height



Weld Spatter Rust and Scratch Resistant



Push Handle



Storage Rack for Clamps



Storage Rack for Clamps Rear View



Pegboard with Accessories



Pegboard Panel for Storing Clamps and Accessories



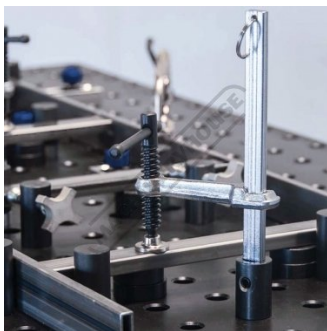
2 x Fixed Caster Wheels



2 x Swivel Brake Caster Wheels



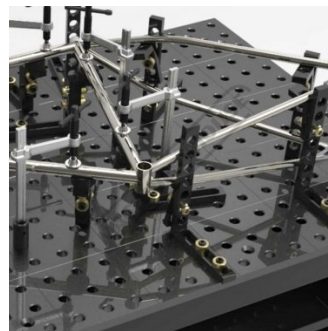
Leveling Feet



Inserta Clamp



Inserta Pliers



Right Angle Brackets

Product Brochure For W07705

**Recommended Accessories**

W07757  
Plasma Cutting Tray



W08012  
BuildPro V-Block Spacer



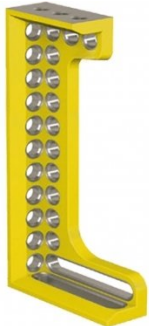
W08180  
Modular Pipe & Tube Notcher



W08111  
BuildPro Malleable Cast Iron Clamping Square



W08110  
BuildPro Malleable Cast Iron Clamping Square



W08042  
BuildPro Ball Lock Bolt - Fixed Length



W07900  
Steel Cleaning Brush



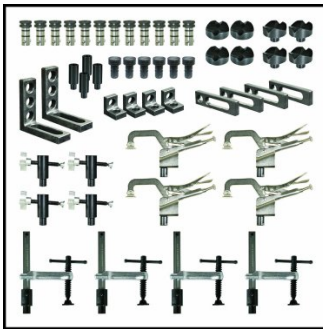
W07820  
Table & Accessory Lifting Kit



Product Brochure For W07705

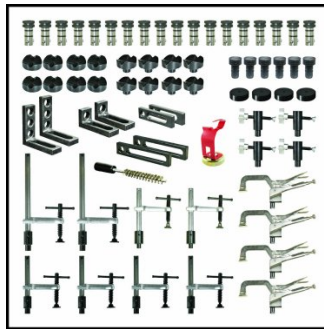
**W07814**

52pc Pro Series Welding Table Clamp Kit



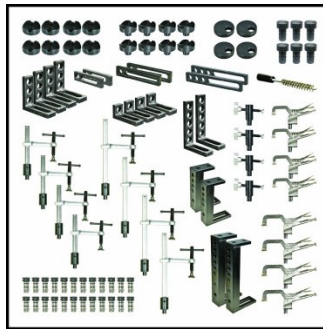
**W07815**

70pc Pro Series Welding Table Clamp Kit



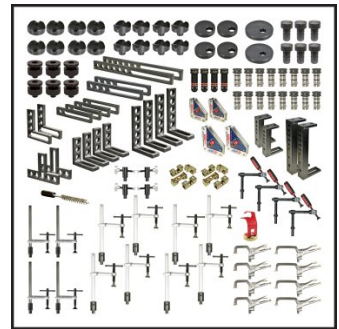
**W07816**

93pc Pro Series Welding Table Clamp Kit



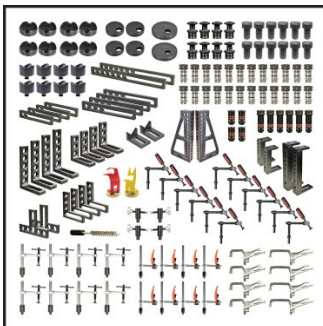
**W07817**

120pc Pro Series Welding Table Clamp Kit



**W07818**

151pc Pro Series Welding Table Clamp Kit



**W08506**

Magnetic Cross Type 90 / 135° V-Pad (4 Piece Pack)



**W08507**

Cross Type 90 / 135° V-Pad (4 Piece Pack)



**W07880**

Cross Type 90 / 120° V-Pad



**W07885**

130° V-Pad



**W07884**

90° V-Square Support



**W08505**

12mm x Ø38mm Magnetic Rest Pad - 4pc Pack



**W08513**

25mm x M12 Multi-Purpose Riser/Stops (Spigot Type) - 4pc Pack



Product Brochure For W07705

**W08515**

38mm x M12 Multi-Purpose Riser/Stops (Spigot Type) - 4pc Pack



**W08517**

50mm x M12 Multi-Purpose Riser/Stops (Spigot Type) - 4pc Pack



**W08503**

Adjustable Rest Pad - 2pc Pack



**W07887**

50mm Eccentric Pad



**W07888**

75mm Eccentric Pad



**W08504**

Locating Pin 16 x 40mm



**W07899**

Magnetic Plug Pin 16 x 12mm



**W07897**

Double Countersink Lock Pin 16 x 24mm



**W07895**

Countersink Ball Lock Pin 16 x 24mm



**W07891**

Ball Lock Pin 16 x 24mm



**W07892**

Ball Lock Pin 16 x 28mm



**W07893**

Ball Lock Pin 16 x 36mm



Product Brochure For W07705

---

W07862  
Straight Bar Stop



W07863  
Straight Bar Stop



W07864  
Straight Bar Stop



W07866  
Straight Bar Stop



W07840  
Right Angle Bracket / Stop



W07841  
Right Angle Bracket / Stop



W07844  
Right Angle Bracket / Stop



W07845  
Right Angle Bracket / Stop



W07853  
L Bracket



W07855  
L Bracket



W07857  
T Bracket



W07858  
T Bracket



Product Brochure For W07705

---

W07846  
Clamping Square



W07847  
Clamping Square



W07848  
Clamping Square



W07850  
Angle Bracket Set



W07851  
Angle Bracket Set



W07852  
Angle Bracket Set



W07868  
Half Block



W07869  
Half Block



W07870  
Riser Block



W07875  
Riser Block



W07877  
Riser Block



W07836  
Welding Table Rapid Clamp



Product Brochure For W07705

**W07837**  
Welding Table Rapid Clamp



**W07839**  
Welding Table Rapid Clamp



**W08508**  
50mm Side Clamp (2 Piece Pack)



**W08520**  
Adjustable Welding Table Clamp (2 Piece Pack)



**W07826**  
Universal Tilting Welding Table Clamp



**W07834**  
Ratchet Welding Table Clamp



**W07835**  
Ratchet Welding Table Clamp



**W07829**  
Welding Table Clamp



**W07831**  
Welding Table Clamp



**W07830**  
Welding Table Clamp



**W07832**  
Welding Table Clamp



**W07833**  
Welding Table Clamp



Product Brochure For W07705

**W1081**  
Multi Angle Corner Magnets -  
2pc Pack



**W1082**  
Multi Angle Corner Magnets -  
2pc Pack



**W1085**  
Switchable Multi-Angle Welding  
Magnet



**W1086**  
Switchable Multi-Angle Welding  
Magnet



**W1071**  
Switchable Multi-Angle Welding  
Magnet



**W1072**  
Switchable Multi-Angle Welding  
Magnet



**W1091**  
Magnetic Swivel V-Pad Clamps



**W10361**  
Magnetic TIG Torch Rest



**W10362**  
Magnetic MIG Torch Rest



**W112**  
Micro Welding Steel Clamp Set



**W113**  
Butt Welding Aluminium & Steel  
Clamp Set

