

Product Brochure For W07804

## 2000 x 1000mm M16 Pro Series Welding Table - WT16-2010

Ø16mm Holes

**On Sale**

Ex GST

Inc GST

~~\$4,698.00~~

~~\$5,402.70~~

**\$4,100.00**

**\$4,715.00**



ORDER CODE:	W07804
MODEL:	WT16-2010
Table Top Finish (Type):	S355 plate steel
Table Top Size (mm):	2000 x 1000
Table Height (mm):	900
Table Side Height (mm):	100
Top Plate Thickness (mm):	12
Grid Pattern (mm):	50 x 50
Table Hole Diameter (Ø):	16
Table Slots (mm):	~
Static Load Capacity (kg):	2000
Total W.L.L. (kg):	~
Number of Legs (No.):	4
Nett Weight (kg):	315

**METALMASTER**



### Description

The Metalmaster M16 Pro Series welding tables features a welded & ribbed construction from heavy S355 plate steel, the frame is then CNC machined with the sides & top having a finished nominal thickness of 12mm. The CNC machining process is able to achieve a high flatness tolerance of +/- 0.1mm over 1m<sup>2</sup> to give you a smooth precision welding surface. During this CNC machining process, the Ø16mm holes are precision bored to ensure a hole distance tolerance of +/- 0.05mm & with an industry standard 50 x 50mm hole pattern it gives you a multitude of fixture holes to suit your application. Before removing the table from the machining centre, we engrave 50mm grid lines to give you millimetre precision helping you minimise mistakes while increasing productivity.

Our Pro Series tables have been designed with interlocking solid steel ribs & 100mm high sides to maintain rigidity with substantial load capacity for all medium sized fabrication projects. The hole spacing is an industry standard 50mm giving you almost endless possibilities for both welding and clamping applications. The table also comes complete with powder coated round steel tube legs complete with levelling feet ensuring a stable working surface.

This model is designed for those budget minded customers wanting a table the same tolerances & accuracy as our deluxe M16 Pro Series range but without all the bells & whistles of the nitride coating & perimeter engraving.

Choose from our wide range of optional Pro Series clamping kits & fixturing accessories to add to your table giving you the ultimate welding & fixturing system so when you go into battle with your next fabrication project it's a knockout.

### Features

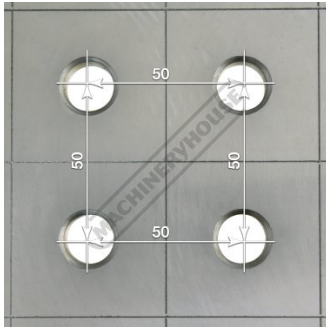
- Tabletop & sides manufactured from heavy S355 plate steel
- Precision CNC machined to ensure flatness of +/- 0.1mm over 1m<sup>2</sup>
- Ø16mm Precision bored fixing holes at 50mm centres
- 50 x 50mm hole grid pattern offering a multitude of clamping options
- 50mm engraved grid lines

### Includes

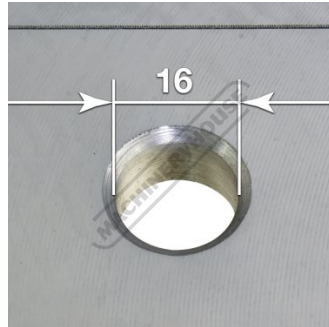
- 4pcs of round steel legs c/w adjustable leveling feet

Product Brochure For W07804

**Specific Features**



50x50mm Hole Centres Pattern



16mm Diameter Holes

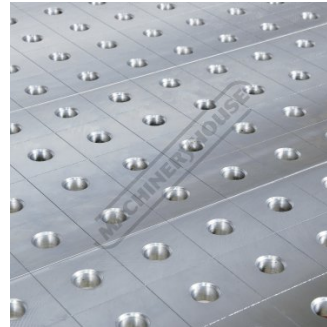
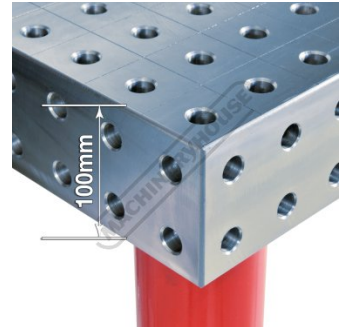
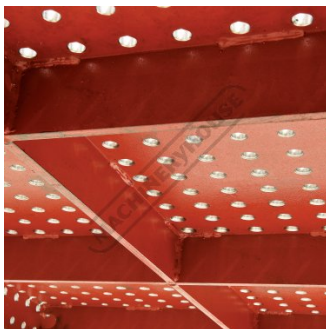


Table Manufactured from Heavy S355 Plate Steel



100mm Sides



Strengthened by Welded Webbing



Adjustable Feet

**Recommended Accessories**

W07900

Steel Cleaning Brush

W07820

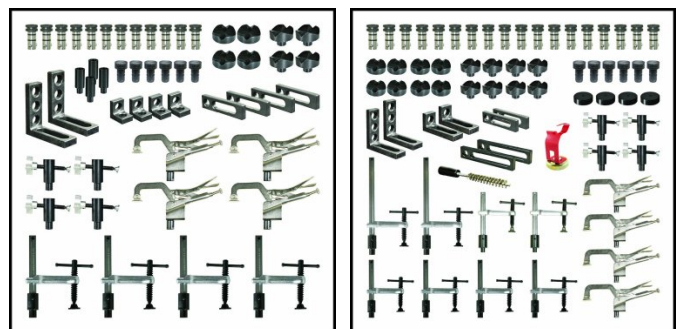
Table & Accessory Lifting Kit

W07814

52pc Pro Series Welding Table Clamp Kit

W07815

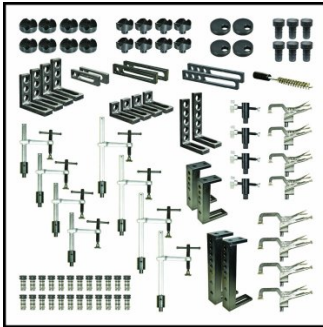
70pc Pro Series Welding Table Clamp Kit



Product Brochure For W07804

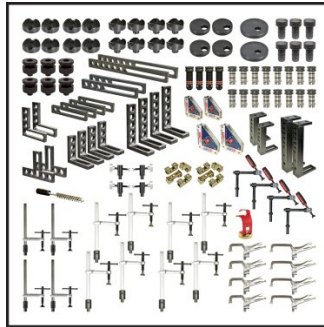
**W07816**

93pc Pro Series Welding Table  
Clamp Kit



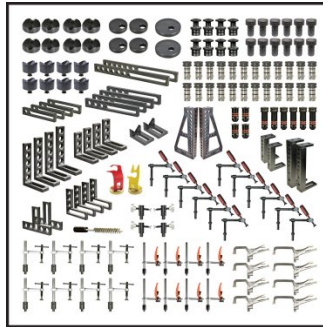
**W07817**

120pc Pro Series Welding Table  
Clamp Kit



**W07818**

151pc Pro Series Welding Table  
Clamp Kit



**W08506**

Magnetic Cross Type 90 / 135°  
V-Pad (4 Piece Pack)



**W08507**

Cross Type 90 / 135° V-Pad (4  
Piece Pack)



**W07880**

Cross Type 90 / 120° V-Pad



**W07885**

130° V-Pad



**W07884**

90° V-Square Support



**W08505**

12mm x Ø38mm Magnetic Rest  
Pad - 4pc Pack



**W08513**

25mm x M12 Multi-Purpose  
Riser/Stops (Spigot Type) - 4pc  
Pack



**W08515**

38mm x M12 Multi-Purpose  
Riser/Stops (Spigot Type) - 4pc  
Pack



**W08517**

50mm x M12 Multi-Purpose  
Riser/Stops (Spigot Type) - 4pc  
Pack



Product Brochure For W07804

**W08503**  
Adjustable Rest Pad - 2pc Pack



**W07887**  
50mm Eccentric Pad



**W07888**  
75mm Eccentric Pad



**W08504**  
Locating Pin 16 x 40mm



**W07899**  
Magnetic Plug Pin 16 x 12mm



**W07897**  
Double Countersink Lock Pin 16 x 24mm



**W07895**  
Countersink Ball Lock Pin 16 x 24mm



**W07891**  
Ball Lock Pin 16 x 24mm



**W07892**  
Ball Lock Pin 16 x 28mm



**W07893**  
Ball Lock Pin 16 x 36mm



**W07862**  
Straight Bar Stop



**W07863**  
Straight Bar Stop



Product Brochure For W07804

---

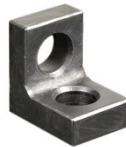
W07864  
Straight Bar Stop



W07866  
Straight Bar Stop



W07840  
Right Angle Bracket / Stop



W07841  
Right Angle Bracket / Stop



W07844  
Right Angle Bracket / Stop



W07845  
Right Angle Bracket / Stop



W07853  
L Bracket



W07855  
L Bracket



W07857  
T Bracket



W07858  
T Bracket



W07846  
Clamping Square



W07847  
Clamping Square



Product Brochure For W07804

---

W07848  
Clamping Square



W07850  
Angle Bracket Set



W07851  
Angle Bracket Set



W07852  
Angle Bracket Set



W07868  
Half Block



W07869  
Half Block



W07870  
Riser Block



W07875  
Riser Block



W07877  
Riser Block



W07836  
Welding Table Rapid Clamp



W07837  
Welding Table Rapid Clamp



W07839  
Welding Table Rapid Clamp



Product Brochure For W07804

**W08508**  
50mm Side Clamp (2 Piece Pack)



**W08520**  
Adjustable Welding Table Clamp (2 Piece Pack)



**W07826**  
Universal Tilting Welding Table Clamp



**W07834**  
Ratchet Welding Table Clamp



**W07835**  
Ratchet Welding Table Clamp



**W07829**  
Welding Table Clamp



**W07831**  
Welding Table Clamp



**W07830**  
Welding Table Clamp



**W07832**  
Welding Table Clamp



**W07833**  
Welding Table Clamp



**W1081**  
Multi Angle Corner Magnets - 2pc Pack



**W1082**  
Multi Angle Corner Magnets - 2pc Pack



Product Brochure For W07804

**W1085**  
Switchable Multi-Angle Welding Magnet



**W1086**  
Switchable Multi-Angle Welding Magnet



**W1071**  
Switchable Multi-Angle Welding Magnet



**W1072**  
Switchable Multi-Angle Welding Magnet



**W1091**  
Magnetic Swivel V-Pad Clamps



**W10361**  
Magnetic TIG Torch Rest



**W10362**  
Magnetic MIG Torch Rest



**W112**  
Micro Welding Steel Clamp Set



**W113**  
Butt Welding Aluminium & Steel Clamp Set

