

Product Brochure For W07806K

M16 Pro Series Mobile Welding Station - WT16-1208K

1200 x 800 x 950mm (LxWxH)
Ø16mm Holes



On Sale - Package Deal

| Ex GST | Inc GST |
|-------------------|-------------------|
| \$4,210.00 | \$4,841.50 |
| \$3,700.00 | \$4,255.00 |

Package Contents - SAVE \$1,414.50 (Inc)

| | |
|--|-----------------------|
| 1 x W08504 - Locating Pin 16 x 40mm SCLP-16 | \$34.50 |
| 1 x W1091 - Magnetic Swivel V-Pad Clamps WMVP-2M | \$32.20 |
| 2 x W1072 - Switchable Multi-Angle Welding Magnet WCM | \$82.80 |
| 2 x W1071 - Switchable Multi-Angle Welding Magnet WCM | \$64.40 |
| 1 x W10362 - Magnetic MIG Torch Rest MTH-1 | \$25.30 |
| 1 x W08517 - 50mm x M12 Multi-Purpose Riser/Stops (Spigot) - 4pc Pack | \$34.50 |
| 1 x W08513 - 25mm x M12 Multi-Purpose Riser/Stops (Spigot) - 4pc Pack | \$29.90 |
| 2 x W08508 - 50mm Side Clamp (2 Piece Pack) SDC-50 | \$55.20 |
| 1 x W08507 - Cross Type 90 / 135° V-Pad (4 Piece Pack) S | \$36.80 |
| 2 x W08506 - Magnetic Cross Type 90 / 135° V-Pad (4 Piece Pack) SCVM-901 | \$36.80 |
| 1 x W08505 - 12mm x Ø38mm Magnetic Rest Pad - 4pc Pack SMP-12 | \$36.80 |
| 1 x T6890 - Professional Series Mobile Work Station TWS-622 | \$1,472.30 |
| 10 x W07891 - Ball Lock Pin 16 x 24mm WT16-BLP24 | \$32.20 |
| 2 x W07863 - Straight Bar Stop WT16-SB150 | \$50.60 |
| 2 x W07862 - Straight Bar Stop WT16-SB115 | \$36.80 |
| 2 x W07844 - Right Angle Bracket / Stop WT16-AB993 | \$50.60 |
| 2 x W07841 - Right Angle Bracket / Stop WT16-AB943 | \$41.40 |
| 2 x W07837 - Welding Table Rapid Clamp WT16-RC9 | \$36.80 |
| 2 x W07836 - Welding Table Rapid Clamp WT16-RC6 | \$29.90 |
| 4 x W07829 - Welding Table Clamp WT16-C815 | \$36.80 |
| 1 x W07806 - 800 x 1200mm M16 Pro Series Welding Table with Pull-out | \$2,525.40 |

Normal Price (Inc): \$5,669.50

| | |
|----------------------------|--------------------------|
| ORDER CODE: | W07806K |
| MODEL: | WT16-1208K |
| Table Top Finish (Type): | Plasma Nitriding Coating |
| Table Top Size (mm): | 800 x 1200 |
| Table Height (mm): | 950 |
| Table Side Height (mm): | 50 / 65 |
| Top Plate Thickness (mm): | 12 |
| Grid Pattern (mm): | 50 x 50 |
| Table Hole Diameter (Ø): | 16 |
| Table Slots (mm): | ~ |
| Static Load Capacity (kg): | 400 |
| Total W.L.L. (kg): | ~ |
| Number of Legs (No.): | ~ |
| Nett Weight (kg): | 256 |

Description

The Metalmaster M16 Pro Series Welding Table, paired with the TWS-622 Mobile Work Station and 69 Piece Fixturing Kit, is the ultimate mobile welding solution.

The 800 x 1200mm Welding Table features a welded S355 12mm thick steel frame, CNC-machined for precise flatness. Featuring Ø16mm holes with a 50 x 50mm hole pattern, it offers versatile clamping options for fixtures. Solid steel ribs and 50mm high sides ensure rigidity, while the plasma nitriding coating resists spatter, wear, and rust.

The Mobile Work Station offers ten drawers, adjustable shelving, hanging hooks, and side storage, with soft-close drawers, safety locks, foam liners, and oversized caster wheels for easy mobility.

400kg Total Load Capacity

NOTE: Welding Table Requires Fitting to Benchtop
A minor fitting process is required to mount the WT16-1208T Welding Table Top onto the TWS-622 Mobile Work Station Benchtop.

Product Brochure For W07806K

(Please refer to the downloadable Instruction Manual for easy to follow setup)

Features

- WT16-1208T 800 x 1200mm Nitride Steel Welding Table Top
- Tabletop is manufactured from heavy S355 plate steel finished nominal thickness of 12mm
- CNC machined to ensure flatness
- Plasma nitriding surface finish for increased hardness, rust & spatter resistance
- Ø16mm Precision bored fixing holes
- 50 x 50mm hole grid pattern offering a multitude of clamping options
- The kit includes a sheet steel cover for benchtop, pull-out swarf tray, and a hardware pack for mounting to benchtop
- TWS-622 - Professional Series Mobile Work Station
- Maximum storage with adjustable shelving and racks
- Ball bearing slides, drawer latches & anti-slip foam liners on all drawers
- Dual slides on larger drawers for extra weight
- Large handle
- Key lockable
- Brakes on two wheels
- 69-piece Fixturing Kit
- The 69-piece Fixturing Kit is an excellent startup kit, providing all the necessary welding clamps and fixtures to get started on most welding projects

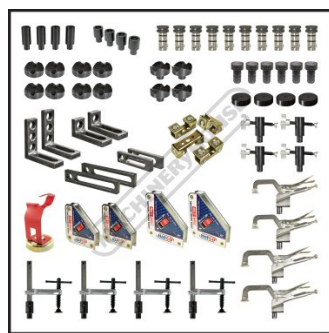
Includes

- 1 x WT16-1208T Nitride Steel Welding Table Top with Pull-out Tray
- 1 x TWS-622 - Professional Series Mobile Work Station
- 4 x WT16-C815 - Welding Table Clamps
- 2 x WT16-RC6 - Welding Table Rapid Clamps
- 2 x WT16-RC9 - Welding Table Rapid Clamps
- 2 x WT16-AB943 - Right Angle Brackets
- 2 x WT16-AB993 - Right Angle Brackets
- 2 x WT16-SB115 - Straight Bar Stops
- 2 x WT16-SB150 - Straight Bar Stops
- 10 x WT16-BLP24 - Ball Lock Pins 16 x 24mm
- 1 x SCLP-16 - Locating Pin 16 x 40mm
- 1 x SCMP-12 - Magnetic Rest Pad 12mm x Ø38mm - 4pc Pack
- 2 x SCVM-90135 - Magnetic Cross Type 90 / 135° V-Pad (4 Piece Pack)
- 1 x SCV-90135 - Cross Type 90 / 135° V-Pad (4 Piece Pack)
- 2 x SDC-50 - 50mm Side Clamp (2 Piece Pack)
- 1 x W08513 - Weld Clamp Adaptor - 4pc Pack
- 1 x SCA-5016P - 50mm Material Stop (Spigot Type) - 4pc Pack
- 1 x MTH-1 - Magnetic MIG Torch Rest
- 2 x WCM-90HD - Switchable Multi-Angle Welding Magnets
- 2 x WCM-140HD - Switchable Multi-Angle Welding Magnets
- 1 x WMVP-2M - Magnetic Swivel V-Pad Clamps

Specific Features



WT16-1208T 800 x 1200mm M16 Pro Series Welding Table Top with Pull-out Tray



Includes 69 Piece Fixturing Kit

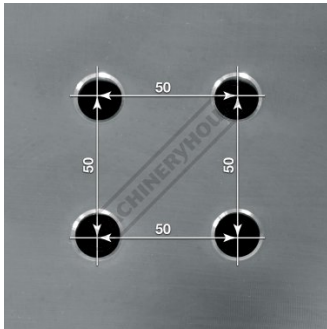


TWS-622 Mobile Workstation



Included 69 Piece Fixing Kit Shown on Table

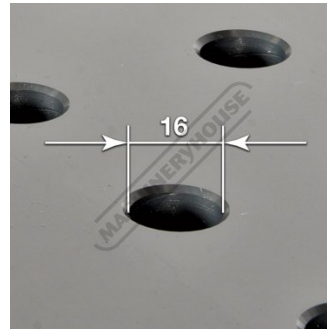
Product Brochure For W07806K



50 x 50mm Hole Centre Pattern



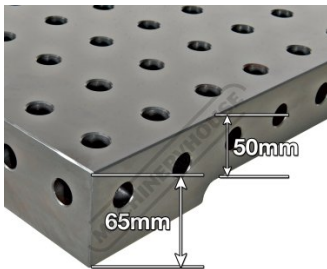
Table Manufactured from Heavy S355 Plate Steel



Ø16mm Diameter Holes



12mm Table Thickness



65mm High Ends with 50mm High Sides



Strengthened by Welded Webbing



Pull Out Welding Splatter Tray



TWS-622 Mobile Workstation - Drawers Open



Protective Drawer Liners



Ball Bearing Slide Drawers



Drawer Latches on each Drawer



Key Lockable



Heavy Duty Push Handle



2 x Swivel Brake Wheels



2 x Fixed Wheels

Product Brochure For W07806K

Recommended Accessories

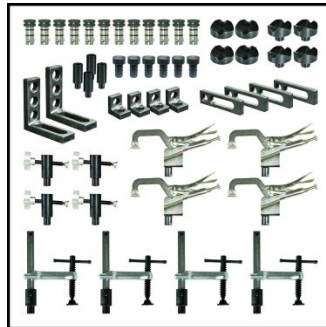
W07900
Steel Cleaning Brush



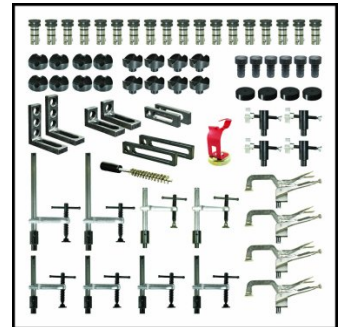
W07820
Table & Accessory Lifting Kit



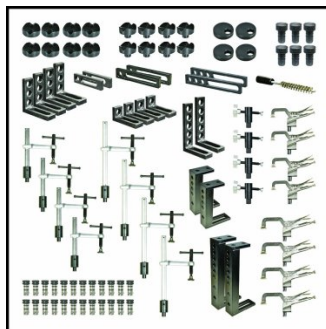
W07814
52pc Pro Series Welding Table Clamp Kit



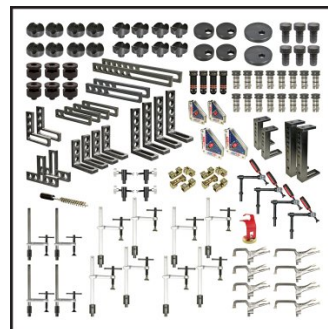
W07815
70pc Pro Series Welding Table Clamp Kit



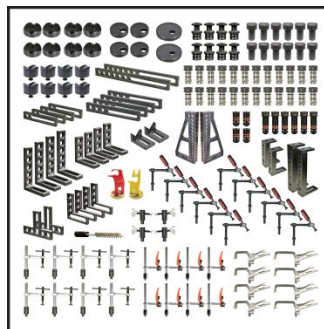
W07816
93pc Pro Series Welding Table Clamp Kit



W07817
120pc Pro Series Welding Table Clamp Kit



W07818
151pc Pro Series Welding Table Clamp Kit



W08506
Magnetic Cross Type 90 / 135° V-Pad (4 Piece Pack)



Product Brochure For W07806K

W08507

Cross Type 90 / 135° V-Pad (4 Piece Pack)



W07880

Cross Type 90 / 120° V-Pad



W07885

130° V-Pad



W07884

90° V-Square Support



W08505

12mm x Ø38mm Magnetic Rest Pad - 4pc Pack



W08513

25mm x M12 Multi-Purpose Riser/Stops (Spigot Type) - 4pc Pack



W08515

38mm x M12 Multi-Purpose Riser/Stops (Spigot Type) - 4pc Pack



W08517

50mm x M12 Multi-Purpose Riser/Stops (Spigot Type) - 4pc Pack



W08503

Adjustable Rest Pad - 2pc Pack



W07887

50mm Eccentric Pad



W07888

75mm Eccentric Pad



W08504

Locating Pin 16 x 40mm



Product Brochure For W07806K

W07899
Magnetic Plug Pin 16 x 12mm



W07897
Double Countersink Lock Pin 16 x 24mm



W07895
Countersink Ball Lock Pin 16 x 24mm



W07891
Ball Lock Pin 16 x 24mm



W07892
Ball Lock Pin 16 x 28mm



W07893
Ball Lock Pin 16 x 36mm



W07862
Straight Bar Stop



W07863
Straight Bar Stop



W07864
Straight Bar Stop



W07866
Straight Bar Stop



W07840
Right Angle Bracket / Stop



W07841
Right Angle Bracket / Stop



Product Brochure For W07806K

W07844
Right Angle Bracket / Stop



W07845
Right Angle Bracket / Stop



W07853
L Bracket



W07855
L Bracket



W07857
T Bracket



W07858
T Bracket



W07846
Clamping Square



W07847
Clamping Square



W07848
Clamping Square



W07850
Angle Bracket Set



W07851
Angle Bracket Set



W07852
Angle Bracket Set



Product Brochure For W07806K

W07868
Half Block



W07869
Half Block



W07870
Riser Block



W07875
Riser Block



W07877
Riser Block



W07836
Welding Table Rapid Clamp



W07837
Welding Table Rapid Clamp



W07839
Welding Table Rapid Clamp



W08508
50mm Side Clamp (2 Piece Pack)



W08520
Adjustable Welding Table Clamp (2 Piece Pack)



W07826
Universal Tilting Welding Table Clamp



W07834
Ratchet Welding Table Clamp



Product Brochure For W07806K

W07835
Ratchet Welding Table Clamp



W07829
Welding Table Clamp



W07831
Welding Table Clamp



W07830
Welding Table Clamp



W07832
Welding Table Clamp



W07833
Welding Table Clamp



W1081
Multi Angle Corner Magnets -
2pc Pack



W1082
Multi Angle Corner Magnets -
2pc Pack



W1085
Switchable Multi-Angle Welding
Magnet



W1086
Switchable Multi-Angle Welding
Magnet



W1071
Switchable Multi-Angle Welding
Magnet



W1072
Switchable Multi-Angle Welding
Magnet



Product Brochure For W07806K

W1091
Magnetic Swivel V-Pad Clamps



W10361
Magnetic TIG Torch Rest



W10362
Magnetic MIG Torch Rest



W112
Micro Welding Steel Clamp Set



W113
Butt Welding Aluminium & Steel
Clamp Set



T6890
Professional Series Mobile
Work Station



W07806
800 x 1200mm M16 Pro Series
Welding Table Top with Pull-out
Tray

