

Product Brochure For W07809

1200 x 1200mm M16 Pro Series Welding Table - WT16-1212N

Plasma Nitriding Coating
Ø16mm Holes

On Sale

Ex GST	Inc GST
\$3,844.00	\$4,420.60
\$3,200.00	\$3,680.00



ORDER CODE:	W07809
MODEL:	WT16-1212N
Table Top Finish (Type):	Plasma Nitriding Coating
Table Top Size (mm):	1200 x 1200
Table Height (mm):	900
Table Side Height (mm):	100
Top Plate Thickness (mm):	12
Grid Pattern (mm):	50 x 50
Table Hole Diameter (Ø):	16
Table Slots (mm):	~
Static Load Capacity (kg):	1500
Total W.L.L. (kg):	~
Number of Legs (No.):	4
Nett Weight (kg):	264



Description

The Metalmaster M16 Pro Series welding tables features a welded & ribbed construction from heavy S355 plate steel, the frame is then CNC machined with the sides & top having a finished nominal thickness of 12mm. The CNC machining process is able to achieve a high flatness tolerance of +/- 0.1mm over 1m2 to give you a smooth precision welding surface. During this CNC machining process, the Ø16mm holes are precision bored to ensure a hole distance tolerance of +/- 0.05mm & with an industry standard 50 x 50mm hole pattern it gives you a multitude of fixture holes to suit your application. Before removing the table from the machining centre, we engrave 50mm grid lines & perimeter ruler to give you millimetre precision helping you minimise mistakes while increasing productivity.

Our Pro Series tables have been designed with interlocking solid steel ribs & 100mm high sides to maintain rigidity with substantial load capacity for all medium sized fabrication projects. The hole spacing is an industry standard 50mm giving you almost endless possibilities for both welding and clamping applications. The table also comes complete with heavy powder coated tube steel legs complete with heavy duty caster wheels featuring integrated levelling feet ensuring a stable working surface.

This M16 Pro Series table come standard with a plasma nitriding coating which thermochemically case hardens the surface so not only making it harder but also making it spatter, wear & rust resistant.

Choose from our wide range of optional Pro Series clamping kits & fixturing accessories to add to your table giving you the ultimate welding & fixturing system so when you go into battle with your next fabrication project it's a knockout.

Features

- Plasma nitriding surface finish for increased hardness, rust & spatter resistance
- Ø16mm Precision bored fixing holes at 50mm centres
- 50 x 50mm hole grid pattern offering a multitude of clamping options
- 50mm grid lines & perimeter ruler engraving
- Precision CNC machined to ensure flatness of +/- 0.1mm over 1m2
- Tabletop & sides manufactured from heavy S355 plate steel

Includes

- 4pcs of heavy square adjustable height steel legs c/w caster with integrated levelling feet

Product Brochure For W07809

Specific Features



High View



Low View



Adjustable Height Legs



Adjustable Height Swivel Brake Wheels

Recommended Accessories

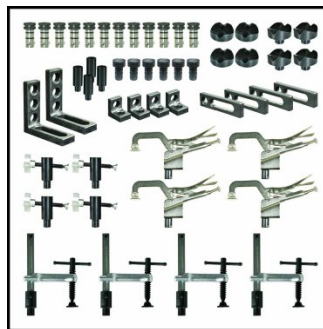
W07900
Steel Cleaning Brush



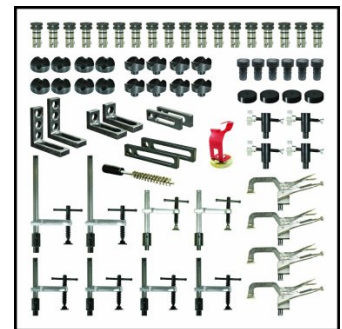
W07820
Table & Accessory Lifting Kit



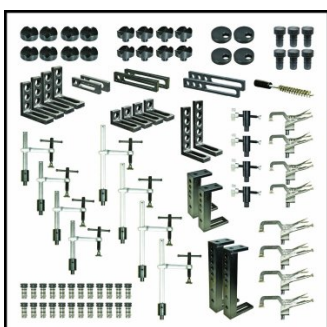
W07814
52pc Pro Series Welding Table Clamp Kit



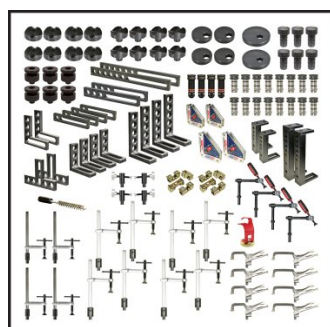
W07815
70pc Pro Series Welding Table Clamp Kit



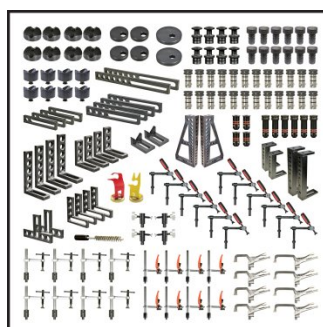
W07816
93pc Pro Series Welding Table Clamp Kit



W07817
120pc Pro Series Welding Table Clamp Kit



W07818
151pc Pro Series Welding Table Clamp Kit



W08506
Magnetic Cross Type 90 / 135° V-Pad (4 Piece Pack)



Product Brochure For W07809

W08507

Cross Type 90 / 135° V-Pad (4 Piece Pack)



W07880

Cross Type 90 / 120° V-Pad



W07885

130° V-Pad



W07884

90° V-Square Support



W08505

12mm x Ø38mm Magnetic Rest Pad - 4pc Pack



W08513

25mm x M12 Multi-Purpose Riser/Stops (Spigot Type) - 4pc Pack



W08515

38mm x M12 Multi-Purpose Riser/Stops (Spigot Type) - 4pc Pack



W08517

50mm x M12 Multi-Purpose Riser/Stops (Spigot Type) - 4pc Pack



W08503

Adjustable Rest Pad - 2pc Pack



W07887

50mm Eccentric Pad



W07888

75mm Eccentric Pad



W08504

Locating Pin 16 x 40mm



Product Brochure For W07809

W07899
Magnetic Plug Pin 16 x 12mm



W07897
Double Countersink Lock Pin 16 x 24mm



W07895
Countersink Ball Lock Pin 16 x 24mm



W07891
Ball Lock Pin 16 x 24mm



W07892
Ball Lock Pin 16 x 28mm



W07893
Ball Lock Pin 16 x 36mm



W07862
Straight Bar Stop



W07863
Straight Bar Stop



W07864
Straight Bar Stop



W07866
Straight Bar Stop



W07840
Right Angle Bracket / Stop



W07841
Right Angle Bracket / Stop



Product Brochure For W07809

W07844
Right Angle Bracket / Stop



W07845
Right Angle Bracket / Stop



W07853
L Bracket



W07855
L Bracket



W07857
T Bracket



W07858
T Bracket



W07846
Clamping Square



W07847
Clamping Square



W07848
Clamping Square



W07850
Angle Bracket Set



W07851
Angle Bracket Set



W07852
Angle Bracket Set



Product Brochure For W07809

W07868
Half Block



W07869
Half Block



W07870
Riser Block



W07875
Riser Block



W07877
Riser Block



W07836
Welding Table Rapid Clamp



W07837
Welding Table Rapid Clamp



W07839
Welding Table Rapid Clamp



W08508
50mm Side Clamp (2 Piece Pack)



W08520
Adjustable Welding Table Clamp (2 Piece Pack)



W07826
Universal Tilting Welding Table Clamp



W07834
Ratchet Welding Table Clamp



Product Brochure For W07809

W07835
Ratchet Welding Table Clamp



W07829
Welding Table Clamp



W07831
Welding Table Clamp



W07830
Welding Table Clamp



W07832
Welding Table Clamp



W07833
Welding Table Clamp



W1081
Multi Angle Corner Magnets - 2pc Pack



W1082
Multi Angle Corner Magnets - 2pc Pack



W1085
Switchable Multi-Angle Welding Magnet



W1086
Switchable Multi-Angle Welding Magnet



W1071
Switchable Multi-Angle Welding Magnet



W1072
Switchable Multi-Angle Welding Magnet



Product Brochure For W07809

W1091
Magnetic Swivel V-Pad Clamps



W10361
Magnetic TIG Torch Rest



W10362
Magnetic MIG Torch Rest



W112
Micro Welding Steel Clamp Set



W113
Butt Welding Aluminium & Steel
Clamp Set

