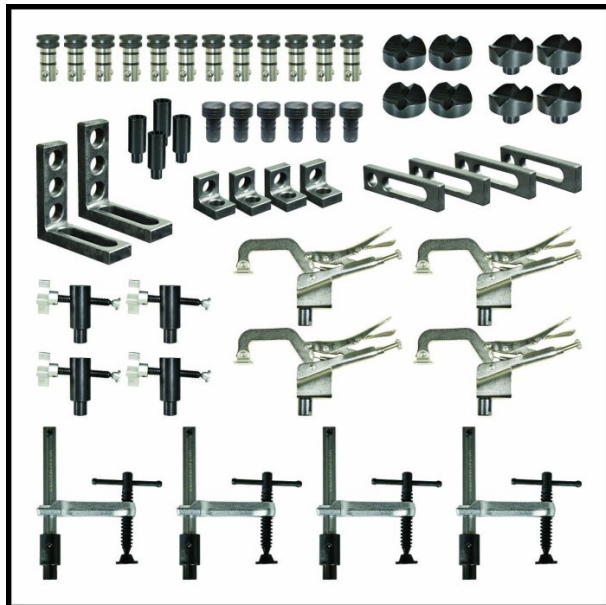


Product Brochure For W07814

## 52pc Pro Series Welding Table Clamp Kit - WT16-KIT52

Suits Metalmaster M16 Pro Series Tables  
Suits Ø16mm Welding Tables Holes



**On Sale - Package Deal**

Ex GST	Inc GST
\$842.00	\$968.30
<b>\$700.00</b>	<b>\$805.00</b>

**Package Contents - SAVE \$496.80 (Inc)**

4 x W07829 - Welding Table Clamp WT16-C815	\$36.80
4 x W07836 - Welding Table Rapid Clamp WT16-RC6	\$29.90
4 x W07840 - Right Angle Bracket / Stop WT16-AB443	\$36.80
2 x W07844 - Right Angle Bracket / Stop WT16-AB993	\$50.60
4 x W07862 - Straight Bar Stop WT16-SB115	\$36.80
12 x W07891 - Ball Lock Pin 16 x 24mm WT16-BLP24	\$32.20
1 x W08504 - Locating Pin 16 x 40mm SCLP-16	\$34.50
1 x W08506 - Magnetic Cross Type 90 / 135° V-Pad (4 Piece Pack) SCVM-90	\$36.80
1 x W08507 - Cross Type 90 / 135° V-Pad (4 Piece Pack) SCVM-135	\$36.80
2 x W08508 - 50mm Side Clamp (2 Piece Pack) SDC-50	\$55.20
1 x W08517 - 50mm x M12 Multi-Purpose Riser/Stops (Spigot) SDC-50	\$34.50

**Normal Price (Inc): \$1,301.80**

ORDER CODE:	W07814
MODEL:	WT16-KIT52
Suits Table Hole Size (Ø):	16mm
Suit Table Thickness:	12-16mm
Quantity Per Pack (No.):	52
Nett Weight (kg):	~



### Description

Our 52pc Pro Series welding table kit offer you great versatility for all of your welding & fixturing needs. Tailored to suit our M16 Pro Series welding tables with 16mm fixturing holes making it ideal addition to your welding table. With a total of 52 pieces, it is an affordable & functional kit for flat steel, round & square tubing applications. This clamping kit is perfect for the set-up of a multitude of welding tasks & aids in the ability to work comfortably, safely and efficiently for improved work quality and productivity.

### Features

- Suits Metalmaster M16 Pro Series tables with 12mm table thickness with Ø16mm holes
- 52-piece kit that all works in combination with each other to solve many clamping applications
- Adaptable to suit flat, square & round material

### Includes

- 4pcs of 80mm Throat Welding Table Clamps
- 4pc of Side Clamps
- 4pcs of 63mm Rapid Clamps
- 4pcs of Magnetic Cross Type V-Pads (90, 135°)
- 4pcs of Cross Type V-Pads (90, 135°)
- 6pcs of Locating Pins
- 4pcs of 50mm Multi-Purpose Stops
- 12pcs of 16 x 24mm Ball Lock Pins
- 4pcs of 40 x 40 x 30mm Angle Brackets
- 2pcs of 90 x 90 x 30mm Angle Brackets
- 4pcs of 115mm Straight Bar Stops

Product Brochure For W07814

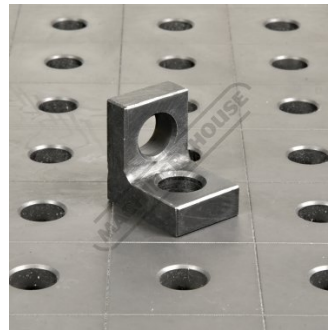
**Specific Features**



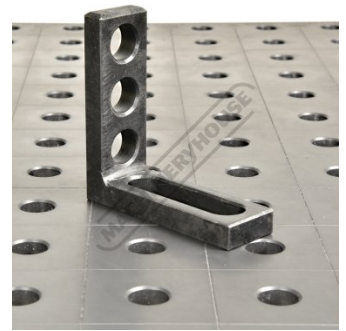
150mm Clamp Height



Welding Table Rapid Clamp



40 x 40 x 30mm



90 x 90 x 30mm



Straight Bar Stop



Ball Lock Pin 16 x 24mm



Locating Pin 16 x 40mm



Magnetic Cross Type 90 / 135° V-Pad



Cross Type 90 / 135° V-Pad



Side Clamps



50mm Material Stop

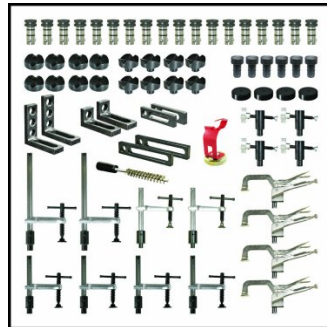
Product Brochure For W07814

**Recommended Accessories**

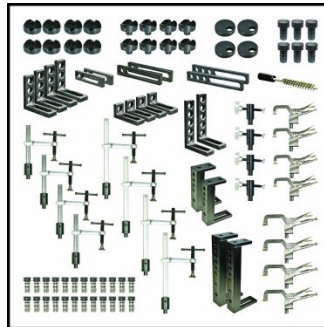
**W07820**  
Table & Accessory Lifting Kit



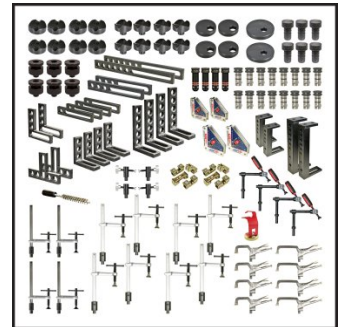
**W07815**  
70pc Pro Series Welding Table Clamp Kit



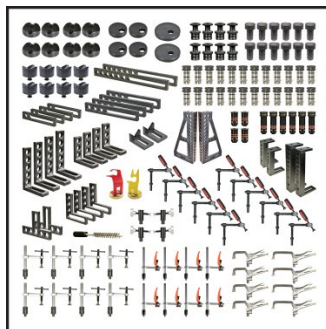
**W07816**  
93pc Pro Series Welding Table Clamp Kit



**W07817**  
120pc Pro Series Welding Table Clamp Kit



**W07818**  
151pc Pro Series Welding Table Clamp Kit



**W07806**  
800 x 1200mm M16 Pro Series Welding Table Top with Pull-out Tray



**W07806K**  
M16 Pro Series Mobile Welding Station



**W07809**  
1200 x 1200mm M16 Pro Series Welding Table



Product Brochure For W07814

---

**W07804**

2000 x 1000mm M16 Pro Series  
Welding Table

**W07811**

2000 x 1000mm M16 Pro Series  
Welding Table

**W07812**

2400 x 1200mm M16 Pro Series  
Welding Table

