

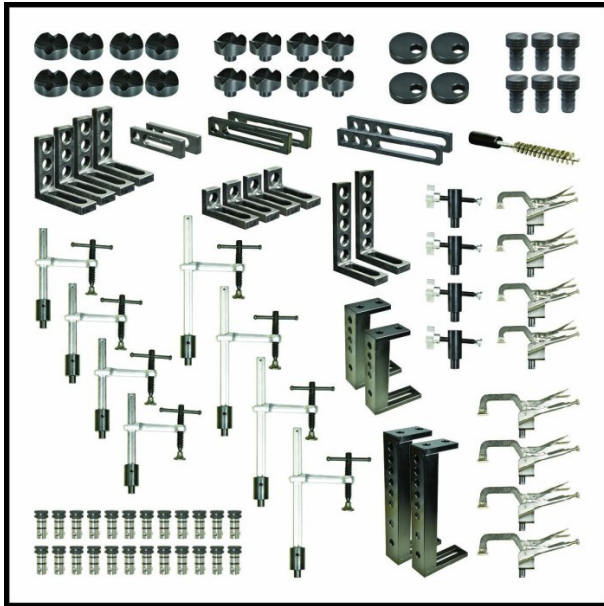
Product Brochure For W07816

## 93pc Pro Series Welding Table Clamp Kit - WT16-KIT93

Suits Metalmaster M16 Pro Series Tables  
Suits Ø16mm Welding Tables Holes

**On Sale - Package Deal**

Ex GST	Inc GST
\$2,136.00	\$2,456.40
<b>\$1,880.00</b>	<b>\$2,162.00</b>



**Package Contents - SAVE \$1,051.10 (Inc)**

2 x W07862 - Straight Bar Stop WT16-SB115	\$36.80
2 x W08508 - 50mm Side Clamp (2 Piece Pack) SDC-50	\$55.20
2 x W08507 - Cross Type 90 / 135° V-Pad (4 Piece Pack) SDC-50	\$36.80
2 x W08506 - Magnetic Cross Type 90 / 135° V-Pad (4 Piece Pack) SCVM-901	\$36.80
1 x W08504 - Locating Pin 16 x 40mm SCLP-16	\$34.50
1 x W07900 - Steel Cleaning Brush WT16-CB16	\$32.20
24 x W07891 - Ball Lock Pin 16 x 24mm WT16-BLP24	\$32.20
4 x W07887 - 50mm Eccentric Pad WT16-EC50	\$36.80
2 x W07864 - Straight Bar Stop WT16-SB200	\$64.40
2 x W07863 - Straight Bar Stop WT16-SB150	\$50.60
6 x W07831 - Welding Table Clamp WT16-C1020	\$46.00
2 x W07848 - Clamping Square WT16-CSQ300	\$119.60
2 x W07847 - Clamping Square WT16-CSQ200	\$98.90
2 x W07845 - Right Angle Bracket / Stop WT16-AB1405x1	\$57.50
4 x W07844 - Right Angle Bracket / Stop WT16-AB993	\$50.60
4 x W07841 - Right Angle Bracket / Stop WT16-AB943	\$41.40
4 x W07837 - Welding Table Rapid Clamp WT16-RC9	\$36.80
4 x W07836 - Welding Table Rapid Clamp WT16-RC6	\$29.90
4 x W07832 - Welding Table Clamp WT16-C1030	\$50.60

**Normal Price (Inc): \$3,213.10**



ORDER CODE:	W07816
MODEL:	WT16-KIT93
Suits Table Hole Size (Ø):	16mm
Suit Table Thickness:	12mm
Quantity Per Pack (No.):	93
Nett Weight (kg):	~

### Description

Our 93pc Pro Series welding table kit offer you great versatility for all your welding & fixturing needs. Tailored to suit our M16 Pro Series welding tables with 16mm fixturing holes making it ideal addition to your welding table. With a total of 93 pieces, it is an affordable & functional kit for flat steel, round & square tubing applications. This clamping kit is perfect for the set-up of a multitude of welding tasks & aids in the ability to work comfortably, safely and efficiently for improved work quality and productivity.

### Features

- Suits Metalmaster M16 Pro Series tables with 12mm table thickness with Ø16mm holes
- 93-piece kit that all works in combination with each other to solve many clamping applications
- Adaptable to suit flat, square & round material

### Includes

- 6pcs of 100mm Throat Welding Table Clamps (200mm Cap.)
- 4pcs of 100mm Throat Welding Table Clamps (300mm Cap.)
- 4pc of Side Clamps
- 4pcs of 63mm Rapid Clamps
- 4pcs of 93mm Rapid Clamps
- 8pcs of Magnetic Cross Type V-Pads (90, 135°)
- 8pcs of Cross Type V-Pads (90, 135°)
- 6pcs of Locating Pins
- 4pcs of 12mm Magnetic Rest Pads
- 24pcs of 16 x 24mm Ball Lock Pins
- 2pcs of 115mm Straight Bar Stops
- 2pcs of 150mm Straight Bar Stops
- 2pcs of 90 x 40 x 30mm Angle Brackets
- 2pcs of 90 x 90 x 30mm Angle Brackets
- 1pcs of 16mm Steel Cleaning Brush

## Product Brochure For W07816

- 1pc of Magnetic Mig Torch Holder

### Recommended Accessories

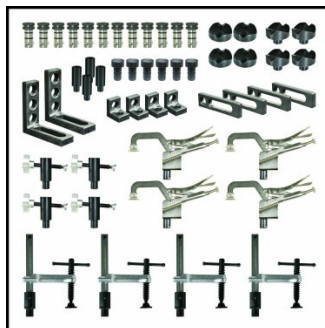
W07820

Table & Accessory Lifting Kit



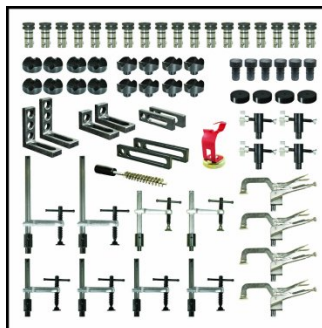
W07814

52pc Pro Series Welding Table Clamp Kit



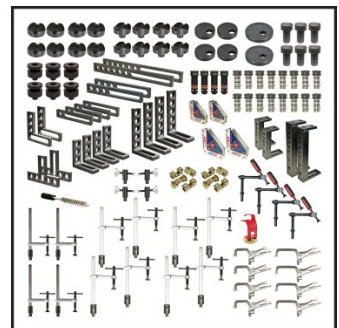
W07815

70pc Pro Series Welding Table Clamp Kit



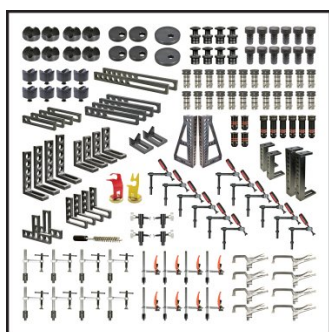
W07817

120pc Pro Series Welding Table Clamp Kit



W07818

151pc Pro Series Welding Table Clamp Kit



W07806

800 x 1200mm M16 Pro Series Welding Table Top with Pull-out Tray



W07806K

M16 Pro Series Mobile Welding Station



W07809

1200 x 1200mm M16 Pro Series Welding Table



Product Brochure For W07816

---

**W07804**

2000 x 1000mm M16 Pro Series  
Welding Table

**W07811**

2000 x 1000mm M16 Pro Series  
Welding Table

**W07812**

2400 x 1200mm M16 Pro Series  
Welding Table

