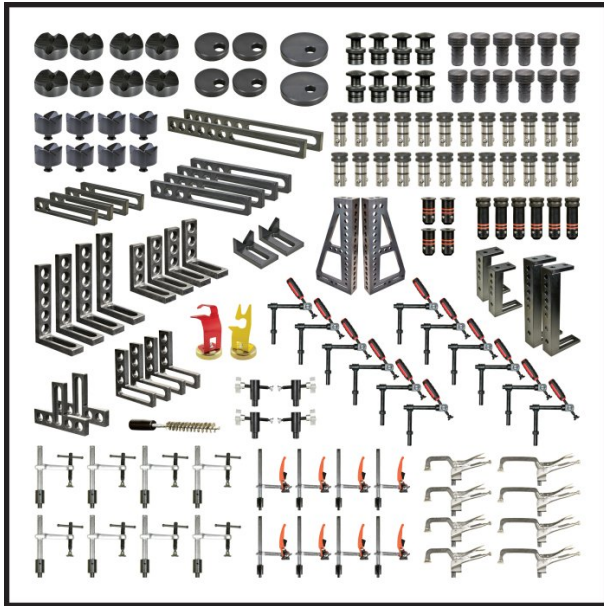


Product Brochure For W07818

151pc Pro Series Welding Table Clamp Kit - WT16-KIT151

Suits Metalmaster M16 Pro Series Tables
Suits Ø16mm Welding Tables Holes



METALMASTER



On Sale - Package Deal

Ex GST	Inc GST
\$5,186.00	\$5,963.90
\$4,556.52	\$5,240.00

Package Contents - SAVE \$2,798.50 (Inc)

2 x W07866 - Straight Bar Stop WT16-SB300	\$112.70
1 x W10362 - Magnetic MIG Torch Rest MTH-1	\$25.30
1 x W10361 - Magnetic TIG Torch Rest TTH-1	\$25.30
2 x W08508 - 50mm Side Clamp (2 Piece Pack) SDC-50	\$55.20
2 x W08506 - Magnetic Cross Type 90 / 135° V-Pad (4 Pieces)	\$36.80
2 x W08504 - Locating Pin 16 x 40mm SCLP-16	\$34.50
1 x W07900 - Steel Cleaning Brush WT16-CB16	\$32.20
8 x W07899 - Magnetic Plug Pin 16 x 12mm WT16-MP16	\$25.30
4 x W07895 - Countersink Ball Lock Pin 16 x 24mm WT16-BLP4	\$34.50
6 x W07893 - Ball Lock Pin 16 x 36mm WT16-BLP36	\$36.80
24 x W07891 - Ball Lock Pin 16 x 24mm WT16-BLP24	\$32.20
2 x W07888 - 75mm Eccentric Pad WT16-EC75	\$43.70
4 x W07887 - 50mm Eccentric Pad WT16-EC50	\$36.80
2 x W07884 - 90° V-Square Support WT16-VSS90	\$105.80
8 x W07880 - Cross Type 90 / 120° V-Pad WT16-VB90120	\$50.60
12 x W07826 - Universal Tilting Welding Table Clamp WT16-UT120	\$105.80
4 x W07864 - Straight Bar Stop WT16-SB200	\$64.40
4 x W07863 - Straight Bar Stop WT16-SB150	\$50.60
2 x W07857 - T Bracket WT16-TB130	\$126.50
4 x W07853 - L Bracket WT16-LB105	\$71.30
1 x W07851 - Angle Bracket Set WT16-AB400LR	\$913.10
2 x W07848 - Clamping Square WT16-CSQ300	\$119.60
2 x W07847 - Clamping Square WT16-CSQ200	\$98.90
4 x W07845 - Right Angle Bracket / Stop WT16-AB1405x1	\$57.50
4 x W07844 - Right Angle Bracket / Stop WT16-AB993	\$50.60
4 x W07839 - Welding Table Rapid Clamp WT16-RC14	\$39.10
4 x W07837 - Welding Table Rapid Clamp WT16-RC9	\$36.80
8 x W07835 - Ratchet Welding Table Clamp WT16-C1230R	\$71.30
8 x W07831 - Welding Table Clamp WT16-C1020	\$46.00

Normal Price (Inc): \$8,038.50

ORDER CODE:	W07818
MODEL:	WT16-KIT151
Suits Table Hole Size (Ø):	16mm
Suit Table Thickness:	12mm
Quantity Per Pack (No.):	151
Nett Weight (kg):	~

Description

Our 151pc Pro Series welding table kit offer you great versatility for all your welding & fixturing needs. Tailored to suit our M16 Pro Series welding tables with 16mm fixturing holes making it ideal addition to your welding table. With a total of 151 pieces, it is an affordable & functional kit for flat steel, round & square tubing applications. This clamping kit is perfect for the set-up of a multitude of welding tasks & aids in the ability to work comfortably, safely and efficiently for improved work quality and productivity.

Features

- Suits Metalmaster M16 Pro Series tables with 12mm table thickness with Ø16mm holes
- 151-piece kit that all works in combination with each other to solve many clamping applications
- Adaptable to suit flat, square & round material

Includes

- 2 x W07866 - WT16-SB300 Straight Bar Stop 300 x 30 x 12mm
- 1 x W10362 - MTH-1 Magnetic MIG Torch Rest
- 1 x W10361 - TTH-1 Magnetic TIG Torch Rest

Product Brochure For W07818

- 2 x W08508 - SDC-50 50mm Side Clamp (2 Piece Pack)
- 2 x W08506 - SCVM-90135 Magnetic Cross Type 90 / 135° V-Pad (4 Piece Pack)
- 2 x W08504 - SCLP-16 Locating Pin 16 x 40mm
- 1 x W07900 - WT16-CB16 Steel Cleaning Brush Suits Ø16mm Tables Holes
- 8 x W07899 - WT16-MP16 Magnetic Plug Pin 16 x 12mm
- 4 x W07895 - WT16-CLP24 Countersink Ball Lock Pin 16 x 24mm
- 6 x W07893 - WT16-BLP36 Ball Lock Pin 16 x 36mm
- 4 x W07891 - WT16-BLP24 Ball Lock Pin 16 x 24mm
- 2 x W07888 - WT16-EC75 75mm Eccentric Pad Up to 50mm Offset
- 4 x W07887 - WT16-EC50 50mm Eccentric Pad Up to 37mm Offset
- 2 x W07884 - WT16-VSS90 90° V-Square Support
- 8 x W07880 - WT16-VB90120 Cross Type 90 / 120° V-Pad
- 12 x W07826 - WT16-UNIV Universal Tilting Welding Table Clamp +/- 42 Degrees
- 4 x W07864 - WT16-SB200 Straight Bar Stop 200 x 30 x 12mm
- 4 x W07863 - WT16-SB150 Straight Bar Stop 150 x 30 x 12mm
- 2 x W07857 - WT16-TB130 T Bracket 130 x 90 x 30mm, 4 Holes, 1 Slot
- 4 x W07853 - WT16-LB105 L Bracket 105 x 105 x 30mm, 3 Holes, 1 Slot
- 1 x W07851 - WT16-AB400LR Angle Bracket Set 400 x 200 x 50mm
- 2 x W07848 - WT16-CSQ300 Clamping Square 140 x 90 x 300 x 50mm
- 2 x W07847 - WT16-CSQ200 Clamping Square 140 x 90 x 200 x 50mm
- 4 x W07845 - WT16-AB1405x1 Angle Bracket / Stop 140 x 90 x 30mm
- 4 x W07844 - WT16-AB993 Right Angle Bracket 90 x 90 x 30mm
- 4 x W07839 - WT16-RC14 Welding Table Rapid Clamp 159mm Throat x 120mm Height
- 4 x W07837 - WT16-RC9 Welding Table Rapid Clamp 93mm Throat x 100mm Height
- 8 x W07835 - WT16-C1230R Ratchet Welding Table Clamp 120mm Throat x 300mm Height
- 8 x W07831 - WT16-C1020 Welding Table Clamp 100mm Throat x 200mm Height

Recommended Accessories

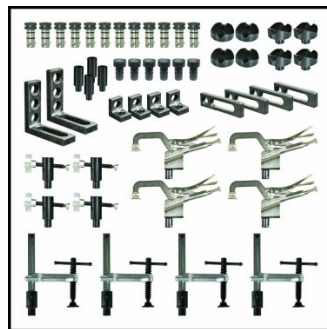
W07820

Table & Accessory Lifting Kit



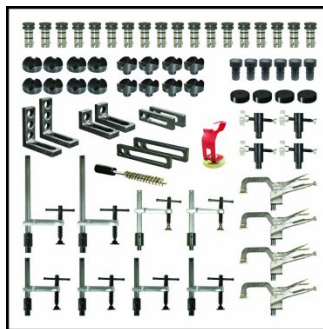
W07814

52pc Pro Series Welding Table Clamp Kit



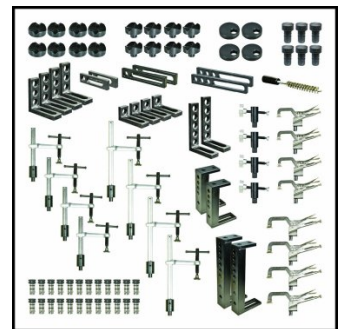
W07815

70pc Pro Series Welding Table Clamp Kit



W07816

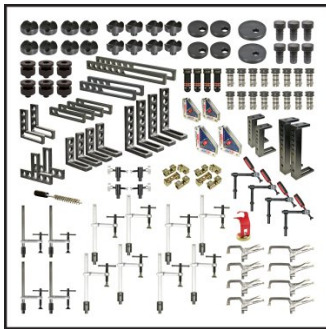
93pc Pro Series Welding Table Clamp Kit



Product Brochure For W07818

W07817

120pc Pro Series Welding Table Clamp Kit



W07806

800 x 1200mm M16 Pro Series Welding Table Top with Pull-out Tray



W07806K

M16 Pro Series Mobile Welding Station



W07809

1200 x 1200mm M16 Pro Series Welding Table



W07804

2000 x 1000mm M16 Pro Series Welding Table



W07811

2000 x 1000mm M16 Pro Series Welding Table



W07812

2400 x 1200mm M16 Pro Series Welding Table

