

Product Brochure For W07846

Clamping Square - WT16-CSQ100

140 x 90 x 105 x 50mm, 3 machined faces, 100mm high

Suits Ø16mm Welding Tables Holes



On Sale

Ex GST
~~\$62.00~~
\$44.35

Inc GST
~~\$71.30~~
\$51.00

| | |
|-------------------------------------|-----------------------|
| ORDER CODE: | W07846 |
| MODEL: | WT16-CSQ100 |
| Type: | Clamping Square |
| Suits Table Hole Diameter (Ø (mm)): | Ø16mm |
| Size (mm): | 140 x 90 x 100 x 50mm |
| Slot Length (mm): | ~ |
| Nett Weight (kg): | 0.32 |



Description

These three-sided clamping squares feature machined square surfaces for a variety of clamping applications. Clamping squares can be used as part of your framework to support clamps & other fixtures at varying heights.

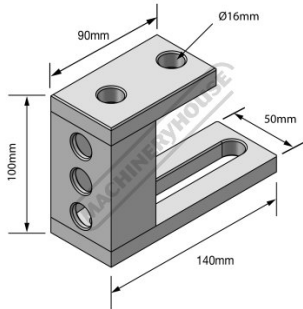
Stack clamping squares as needed to match the height of tall workpieces or add fixture components such as V-Blocks to hold your workpiece vertically or horizontally. The combination of holes and slots provide unlimited versatility in clamping, locating and positioning.

Features

- 12mm thick steel construction
- Includes 5 x Ø16mm hole & 1 x 105mm slot
- 3 machined faces

Product Brochure For W07846

Specific Features



Dimensions



Clamping Square 100mm



Low View



100mm 200mm 300mm Range Available

Recommended Accessories

W08280

42pc Welding Table Clamping & Fixturing Kit



W08301

180 Degree Welding Table Clamp with T-Bar Handle



W08304

90 Degree Welding Table Clamp with T-Bar Handle



W08307

45 Degree Welding Table Clamp with T-Bar Handle



W08372

Countersink Ball Lock Pin 28 x 50mm



W08370

Ball Lock Pin 28 x 50mm



W08371

Ball Lock Pin 28 x 75mm



W08360

Cross Type 90 / 120° V-Pad



Product Brochure For W07846

W08340
Straight Bar Stop



W08341
Straight Bar Stop



W08342
Straight Bar Stop



W08343
Straight Bar Stop



W08320
Right Angle Bracket / Stop



W08321
Right Angle Bracket / Stop



W08325
Right Angle Bracket / Stop



W08330
L Bracket



W08331
L Bracket



W08335
T Bracket



W08329
Adjustable Angle Bracket



W08326
Angle Bracket Set



Product Brochure For W07846

W08327
Angle Bracket Set



W08350
Riser Block



W08351
Riser Block



W08255
2000 x 1000mm M28 Pro Series
Welding Table



W08257
2400 x 1200mm M28 Pro Series
Welding Table



W08260
3000 x 1500mm M28 Pro Series
Welding Table

