

Product Brochure For W07875

Riser Block - WT16-RB500

500 x 100 x 100mm
Suits Ø16mm Welding Tables Holes



On Sale - Back In Stock Soon

Ex GST	Inc GST
\$636.00	\$731.40
\$552.17	\$635.00

ORDER CODE:	W07875
MODEL:	WT16-RB500
Type:	Riser Block - 5 Face
Suits Table Hole Size (Diameter):	Ø16mm
Size:	500 x 100 x 100mm
Plate Thickness (mm):	12
Nett Weight (kg):	~



Description

The perfect addition to complement our METALMASTER M16 Pro Series welding table to use as a table riser, bridge or table extension. The modular design makes it easy to set-up and tear down for your job at hand whether it is big or small. Increase precision & consistency for all your welding tasks to save you time and money.

Features

- Heavy 12mm thick steel construction
- Plasma nitriding surface finish for increased hardness, rust & spatter resistance
- Ø16mm Precision bored fixing holes at 50mm centres to match our M16 Pro Series tables
- 5 sided CNC machined surfaces
- Precision CNC machined surfaces to ensure high tolerances

Product Brochure For W07875

Specific Features



Rear View



Dimensions

Recommended Accessories

W07809

1200 x 1200mm M16 Pro Series
Welding Table



W07804

2000 x 1000mm M16 Pro Series
Welding Table



W07811

2000 x 1000mm M16 Pro Series
Welding Table



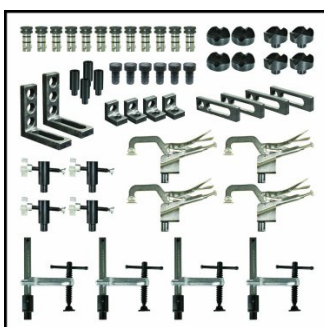
W07812

2400 x 1200mm M16 Pro Series
Welding Table



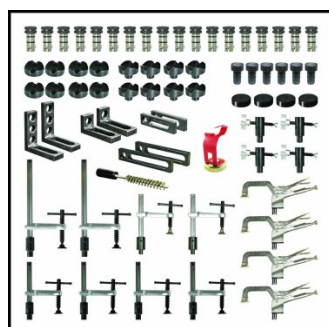
W07814

52pc Pro Series Welding Table
Clamp Kit



W07815

70pc Pro Series Welding Table
Clamp Kit



W07816

93pc Pro Series Welding Table
Clamp Kit

