

Product Brochure For W113

Butt Welding Aluminium & Steel Clamp Set - BWC-4

0 - 3mm Clamping Thickness

Set of 4 Clamps

On Sale

Ex GST

Inc GST

~~\$36.00~~

~~\$41.40~~

\$25.22

\$29.00



ORDER CODE:	W113
MODEL:	BWC-4
Type:	Butt Welding Clamp Set
Clamping Capacity:	0 - 3mm
Locking Handle - Pivot Movement:	~
Clamp Bar - Pivot Movement:	~
Plunger Travel (mm):	~
Throat Depth (mm):	16
Opening (mm):	~
Size:	16 x 30mm Clamp Area
Quantity Per Pack (No.):	~
Clamping Force (kg):	Finger Thumb Lock
Over all Length (mm):	~
Nett Weight (kg):	0.38

METALMASTER



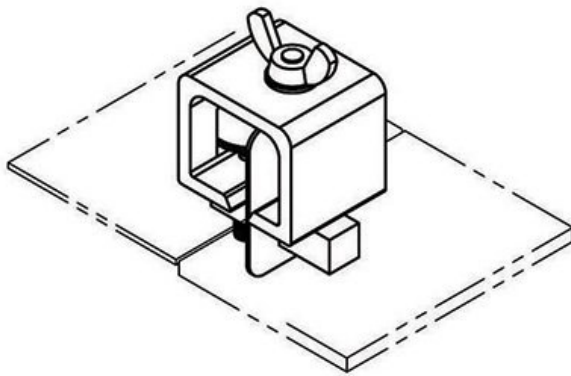
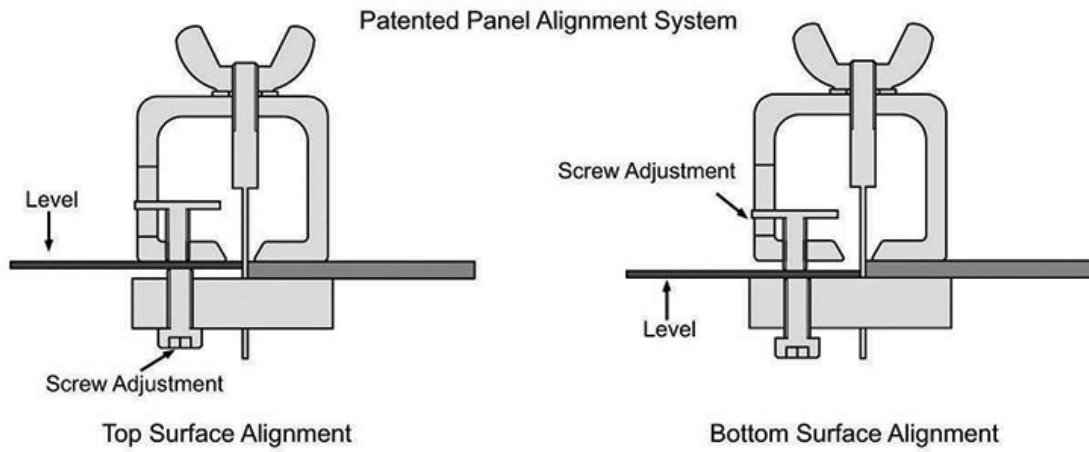
Description

A simple and efficient way of ensuring a perfect welded butt joint.
Holds panels edge to edge with almost no gap - allowing full penetration of the weld.
Patented level adjustment allows accurate joining of dissimilar thicknesses of materials.
Level adjustment allows flat alignment of top or bottom surface of panels.

Features

- Manufactured from steel with an aluminium body
- Level adjusting screws between 0 to 3mm either side
- Knurled adjusting screw head

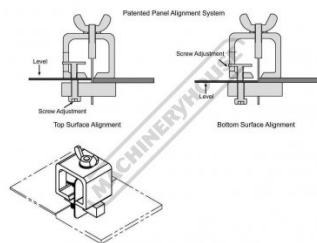
Product Brochure For W113



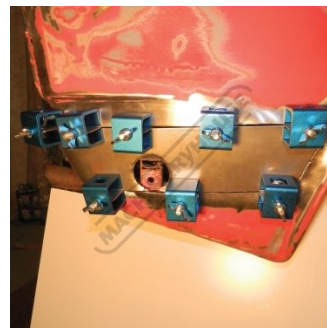
Specific Features



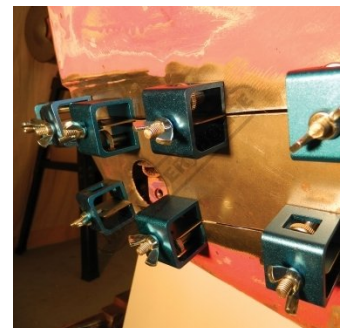
Close Up View



Shown How To Use



Action Shot



Action Shot Close Up

Product Brochure For W113



Action Shot Car

Recommended Accessories

W112

Micro Welding Steel Clamp Set



W1005

Snake Magnet & Spring Clamp



W1006

Adjust-O Magnet Square - Heavy Duty



W1007

Adjust-O Magnet Square - Heavy Duty



W1010

Corner Magnets - (2-Pack)



W1011

XYZ Magnet Squares - Multi-Angle - (2-Pack)



W1012

Adjustable Corner Clamping Plier Set



W1013

Corner Clamping Plier



Product Brochure For W113

W1014
Pipe Plier - Large

W1015
Pipe Plier

W1016
Locking C-Clamp - Round Tip

W1017
Locking C-Clamp - Swivel Tip



W1018
Locking C-Clamp - Swivel Tip

