

Product Brochure For W114

3 Angles Welding Aluminium Clamp Set - AWC-3

60°, 90° & 120° Clamps & 0 - 12.5mm Clamping Thickness

1 x Clamp Body & Set of 3 Clamp Blocks



ORDER CODE:	W114
MODEL:	AWC-3
Type:	3 Angle Clamp Set
Clamping Capacity:	0 - 12.5mm
Locking Handle - Pivot Movement:	~
Clamp Bar - Pivot Movement:	~
Plunger Travel (mm):	~
Throat Depth (mm):	~
Opening (mm):	~
Size:	~
Quantity Per Pack (No.):	~
Clamping Force (kg):	Finger Thumb Lock
Over all Length (mm):	~
Nett Weight (kg):	0.38

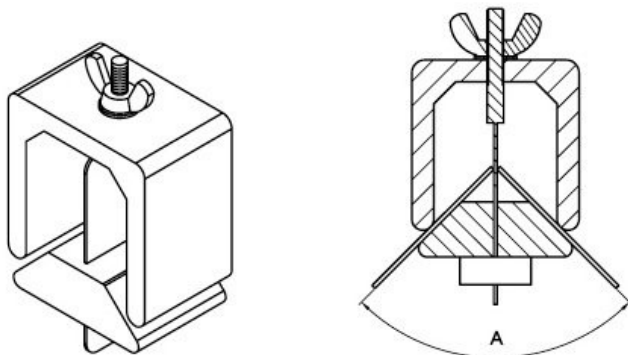


Description

Securely fix panels at 60°, 90° and 120° angles.
Magnetic fixture allows panels to be positioned before being clamped in place.
Unique self-centering design aids fast alignment of panels in clamp.

Features

- Aluminium body with steel screw
- Secures panels with thickness up to 12.5mm
- Magnetic face either side to assist aligning



A=60,90,120

Product Brochure For W114

Specific Features



Angled View

Recommended Accessories

W112
Micro Welding Steel Clamp Set



W113
Butt Welding Aluminium & Steel Clamp Set



W1005
Snake Magnet & Spring Clamp



W1006
Adjust-O Magnet Square - Heavy Duty



W1007
Adjust-O Magnet Square - Heavy Duty



W1010
Corner Magnets - (2-Pack)



W1011
XYZ Magnet Squares - Multi-Angle - (2-Pack)



W1012
Adjustable Corner Clamping Plier Set



Product Brochure For W114

W1013
Corner Clamping Plier



W1014
Pipe Plier - Large



W1015
Pipe Plier



W1016
Locking C-Clamp - Round Tip



W1017
Locking C-Clamp - Swivel Tip



W1018
Locking C-Clamp - Swivel Tip

