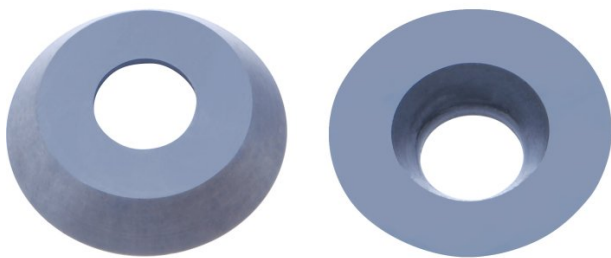


Product Brochure For W30490

## 12mm - Round Carbide Insert

2 Piece Pack



### Description

Keep your carbide woodturning tools performing at their best with these replacement round tungsten carbide inserts. Designed to suit compatible carbide woodturning chisels, the round profile is ideal for smooth finishing cuts, gentle shaping, and producing clean surfaces on bowls, spindles, and other turned projects.

Manufactured from wear-resistant tungsten carbide for long service life, these inserts can be rotated to a fresh cutting edge when worn, reducing downtime and eliminating the need for sharpening.

### Features

- Replacement round tungsten carbide insert
- Suits compatible carbide woodturning chisels
- Ideal for finishing, shaping and smooth contour work
- Long-lasting tungsten carbide cutting edge
- Rotatable design provides multiple usable cutting edges
- No sharpening required
- Supplied as a convenient 2-piece pack

### Includes

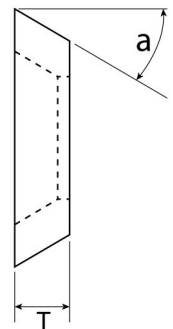
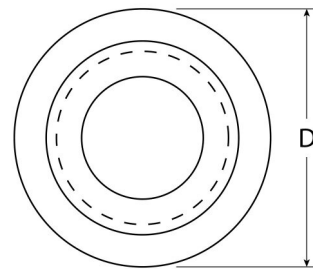
- 2 Piece Pack

Coming Soon

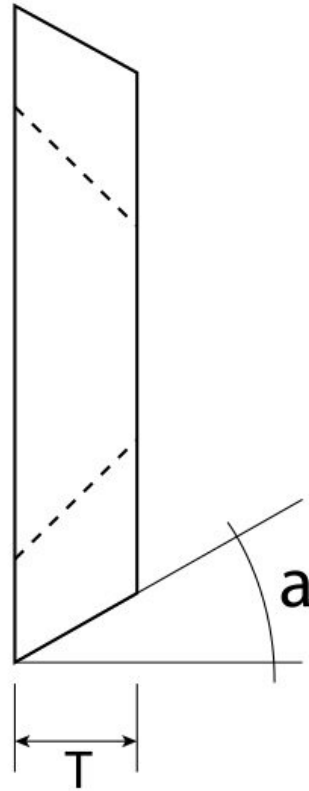
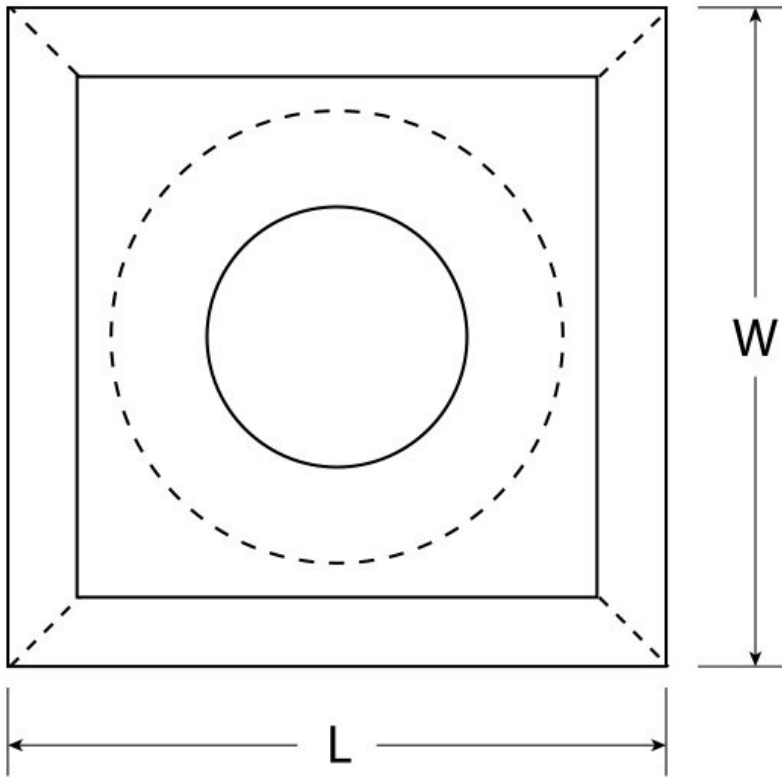
Ex GST  
**\$30.00**

Inc GST  
**\$34.50**

ORDER CODE:	W30490
MODEL:	~
Type:	Round Carbide Insert
No. of Piece:	2
Thread Size:	~
D:	12
L (mm):	~
W (mm):	~
T (mm):	2.5
a (deg):	30°
Suits:	Wood Turning Tools - Insert Type



Product Brochure For W30490



**Specific Features**



Low View

Product Brochure For W30490

---

**Recommended Accessories**

W30494  
M4 - Torx Head Screw



W3045  
Wood Turning Set - 3 Piece



W3046  
Wood Turning Set - 4 Piece

