

Product Brochure For W790

Fence & Rail Assembly - SBF-1270

1270mm Cross Cut

ORDER CODE:	W790
MODEL:	SBF-1270
Type:	Fence & Rail Assembly
Suits:	Table Saws



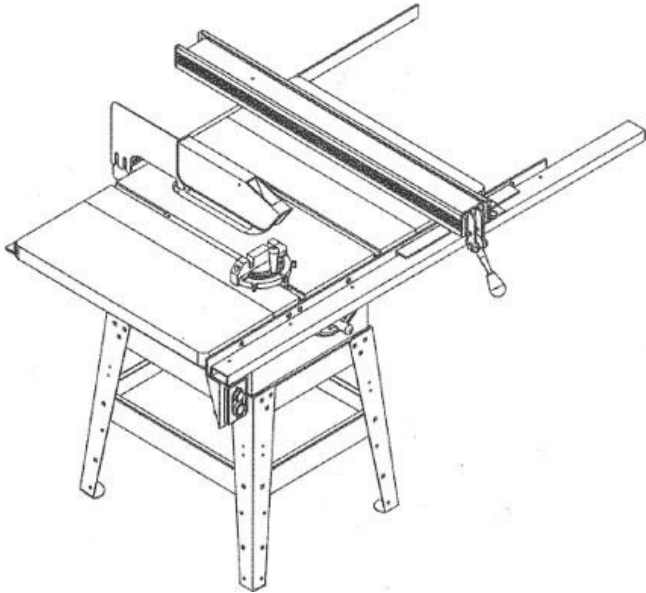
Description

Fence & Rail Assembly to suit Table Saws

Features

- Heavy duty Biesemeyer style table fence and rail
- Can be retro fitted to most saw benches by drilling and fastening to table casting
- Positive locking mechanism fence
- Fence dimensions 130 x 405 x 1090mm
- Rail 50 x 80 x 2007mm giving 1270mm cross cut

Product Brochure For W790



Specific Features



Top View



Positive Locking Mechanism



Rails & Parts

Product Brochure For W790

Recommended Accessories

W452
Table Saw

W454
Table Saw

W455
Table Saw

